

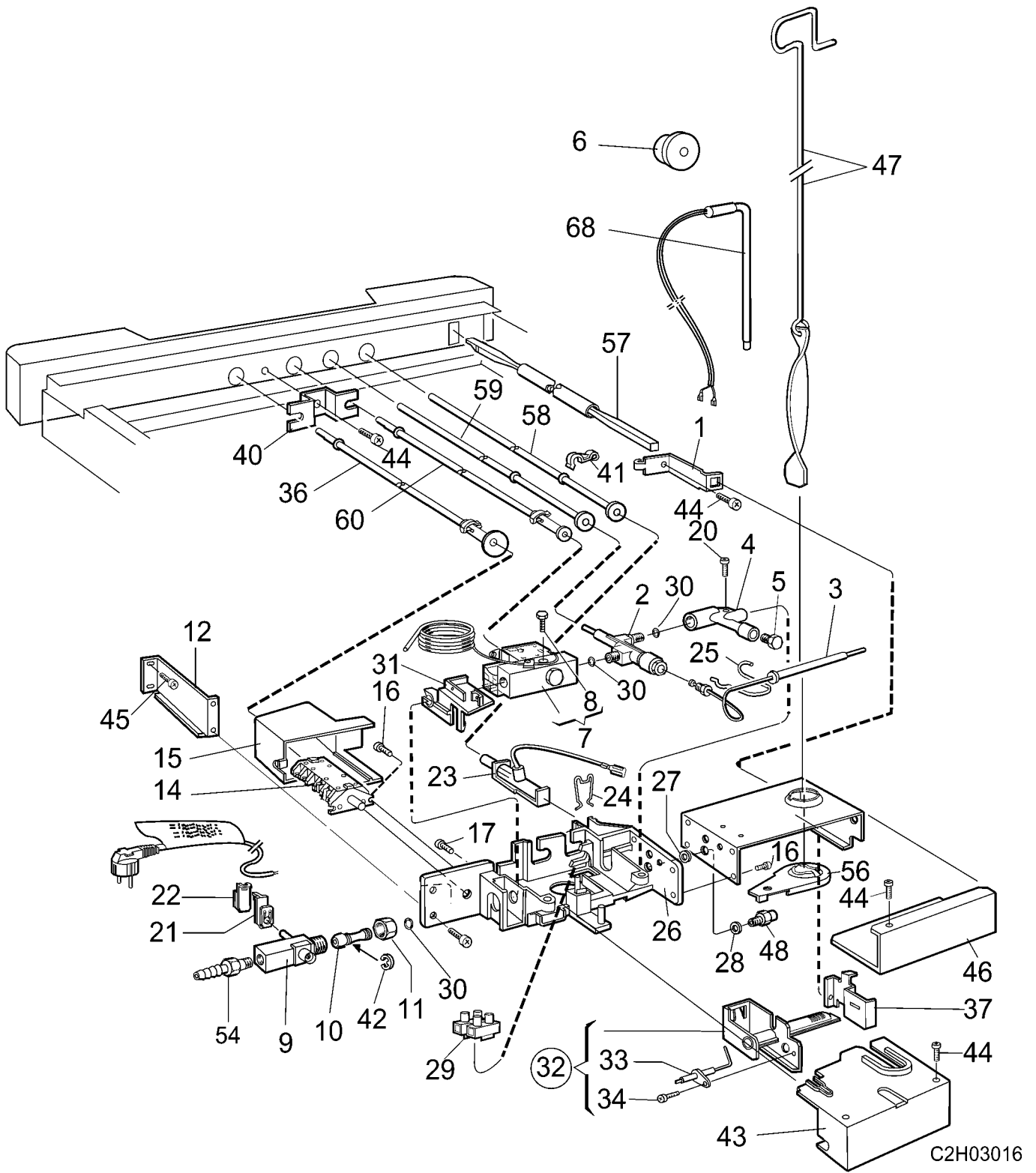
	<b>PNC</b>	<b>Brand</b>	<b>Model</b>	<b>Market</b>
A	921176005	Sibir (N-SR)	V110GE	ZZ
B	921176006	Sibir (N-SR)	V110GE	ZZ
C	921176004	Sibir (N-SR)	V110GE	ZZ

	Cold chain	
AEG Hausgeräte GmbH Muggenhofer Straße 135 D-90429 Nürnberg Germany Fax +49 (0)911 323 1420	Publ.No. <b>599510471</b> <b>2001/4/27</b> MO	822 70 64-01



<b>Matrix</b>	<b>PNC</b>	<b>Model</b>
A	921176005	V110GE
B	921176006	V110GE
C	921176004	V110GE

<b>Pos</b>	<b>Part No.</b>	<b>Matrix</b>	<b>Description</b>
5	2932 78 704 / 3	A B C	Hinge,upper R,green
6	2932 80 104 / 2	A B C	Protection bar,green
7	2932 79 001 / 3	A B C	Hinge pin,upper
8	7243 32 761 / 1	A B C	Screw,zinc-plated,MFX M5x12
11	2004 00 300 / 6	A B C	Foot,RA34
20	2002 59 900 / 5	A B C	Foot,adjustable
22	2932 79 504 / 6	A B C	Cover strip,green
32	2007 47 908 / 8	A B C	Button,pressure,grey
33	2007 48 033 / 4	A B C	Thermostat knob,complete,grey
34	2007 48 036 / 7	A B C	Knob,complete,grey
35	2932 79 201 / 9	A B C	Hinge pin,lower
36	2932 78 902 / 3	A B C	Hinge,lower,right
38	7296 41 501 / 6	A B C	Screw,zinc-plated,FXS B10X22
55	2932 83 501 / 6	A B C	locking bow
82	2932 78 208 / 5	A B C	BASE FRONT,GREY
83	2932 83 601 / 4	A B C	Base



Matrix	PNC	Model
A	921176005	V110GE
B	921176006	V110GE
C	921176004	V110GE

Pos	Part No.	Matrix	Description
1	2007 64 800 / 5	A B C	Holder,light conductor
2	2931 65 701 / 5	A B C	safety valve
3	2931 49 604 / 2	A B C	thermo element
4	2007 51 800 / 0	A B C	Coupling
5	169 38 000 / 3	A B C	Screw,Plug
6	2002 30 100 / 6	A B C	Plug
7	3850 22 301 / 1	A B C	Thermoregulator,V61-PO130
8	172 81 903 / 9	A B C	by-pass screw,S14,8
9	2007 43 002 / 4	A B C	gas cock
10	2007 42 900 / 0	A B C	nipple
11	172 80 900 / 6	A B C	Nut
12	2932 79 601 / 0	A B C	Plate
14	2007 43 200 / 4	A B C	Switch
15	2007 43 900 / 9	A B C	Cap
16	7295 71 301 / 5	A B C	Screw,RXK,B6X9,5,FZ
17	7241 28 761 / 9	A B C	Screw,zinc-plated,M4X8
20	7295 28 501 / 4	A B C	Screw,zinc-plated,RXS B6X19
21	2007 57 701 / 4	A B C	Spring
22	2007 57 800 / 4	A B C	Spring
23	2007 42 300 / 3	A B C	piezo lighter
24	2007 42 400 / 1	A B C	retaining spring
25	2007 42 500 / 8	A B C	retaining spring
26	2007 41 000 / 0	A B C	Holder
27	7344 91 510 / 8	A B C	Tray
28	2007 45 700 / 1	A B C	Tray,0,5mm
29	7627 20 256 / 2	A B C	Junction block
30	140 74 800 / 5	A B C	sealing ring,o-ring,T2527-1
31	2007 42 800 / 2	A B C	Snapper
32	2007 50 303 / 6	A B C	Burner,complete
33	2930 37 900 / 9	A B C	Electrode
34	7295 22 101 / 9	A B C	Screw,RXS,B4x6,5
36	2007 47 504 / 5	A B C	Axle,complete
37	2007 65 101 / 7	A B C	guidance,Burner
40	2007 56 700 / 7	A B C	Support,Axle
41	2005 11 200 / 4	A B C	Clip
42	7353 11 321 / 5	A B C	e-ring,zinc-plated,8
43	2007 44 000 / 7	A B C	Cap
44	7295 27 901 / 7	A B C	Screw,zinc-plated,RXS,B6X10
45	7241 28 961 / 5	A B C	Screw,zinc-plated,MRX,M4X10
46	2007 50 500 / 7	A B C	Cover
47	2932 66 701 / 3	A B C	BAFFLE
48	2007 41 916 / 7	A B C	Jet,43
54	2932 29 301 / 8	A B C	nipple
56	2007 45 801 / 7	A B C	interlocking washer

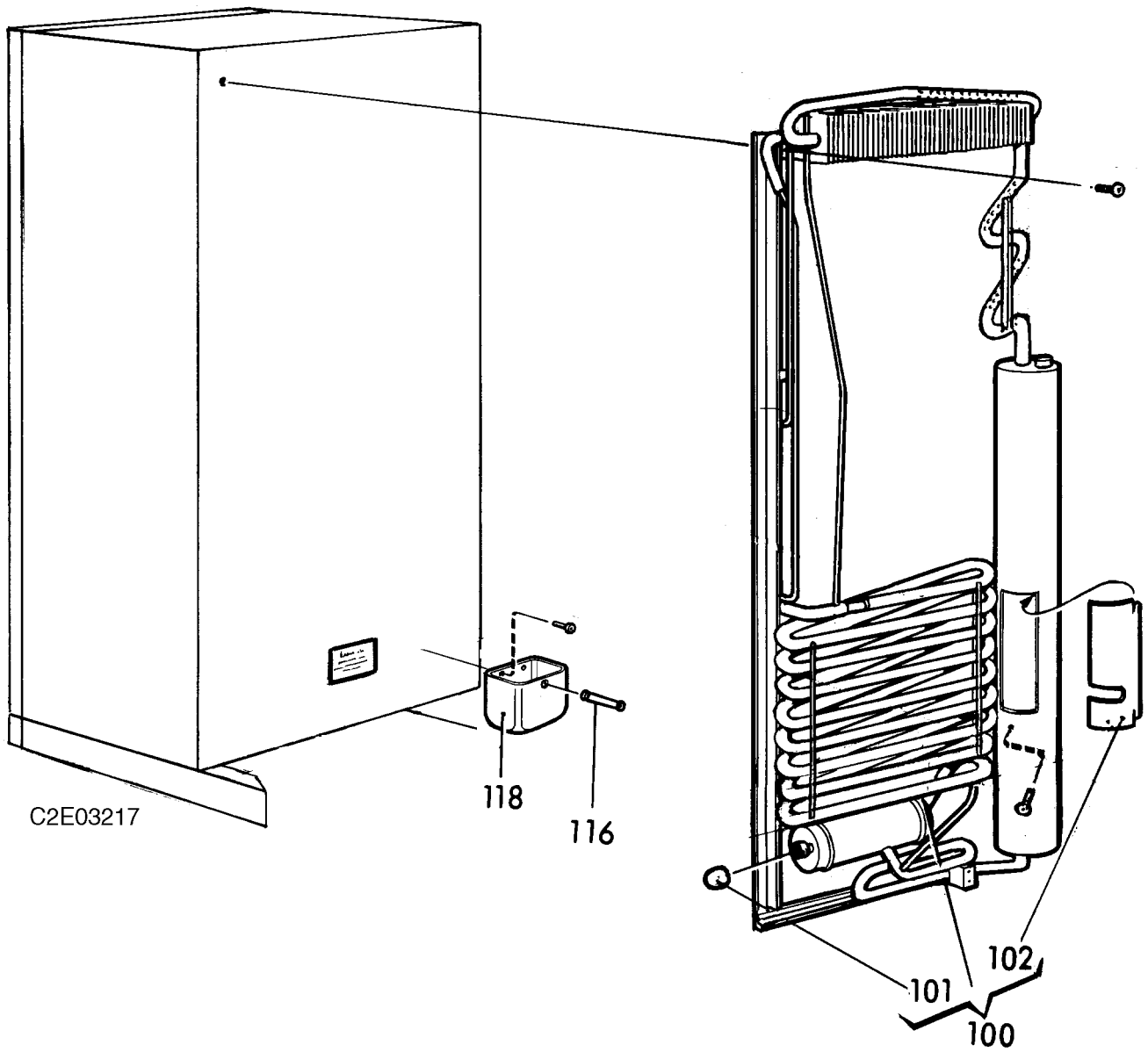
57	2932 79 701 / 8	A B C	light conductor
58	2007 46 810 / 7	A B C	Extension shaft
59	2007 46 808 / 1	A B C	Extension shaft
60	2007 47 104 / 4	A B C	shaft,complete
68	173 73 824 / 6	- - C	IMMERSION HEATER,195
	173 73 825 / 3	- B -	IMMERSION HEATER,185
	173 73 826 / 1	A - -	Immersion heater



NCMOD2043366

<b>Matrix</b>	<b>PNC</b>	<b>Model</b>
A	921176005	V110GE
B	921176006	V110GE
C	921176004	V110GE

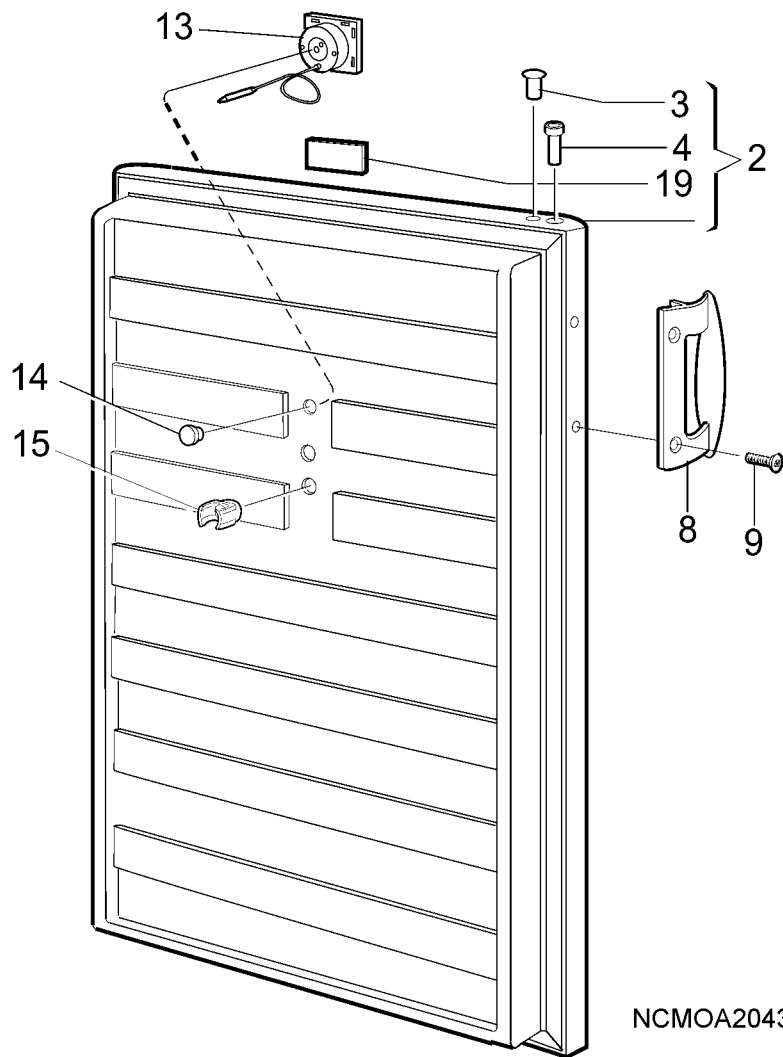
<b>Pos</b>	<b>Part No.</b>	<b>Matrix</b>	<b>Description</b>
3	2954 08 300 / 8	A B C	Bracket
4	2932 62 801 / 5	A B C	COOLING FLANGE
5	2932 62 301 / 6	A B C	Evaporation tray
7	2932 11 501 / 3	A B C	discharge pipe
8	2932 63 501 / 0	A B C	drain
9	2932 74 904 / 3	A B C	discharge hose,l=500
10	2932 62 501 / 1	A B C	Grating shelf,zinc-plated,d=273
11	2932 62 503 / 7	A B C	SHELF,D236,ZINCPLATE
12	3850 33 901 / 5	A B C	Grating shelf
14	2932 65 001 / 9	A B C	Flap freezer-
17	2932 75 401 / 9	A B C	Spring,left
	2932 75 402 / 7	A B C	Spring,right
19	2002 23 600 / 4	A B C	spring casing,left
	2002 23 601 / 2	A B C	spring casing,right
21	2932 66 801 / 1	A B C	shelf lock
35	2007 64 501 / 9	A B C	water level
46	2930 69 304 / 5	A B C	Holder
62	2002 23 800 / 0	A B C	Bolt



C2E03217

<b>Matrix</b>	<b>PNC</b>	<b>Model</b>
A	921176005	V110GE
B	921176006	V110GE
C	921176004	V110GE

<b>Pos</b>	<b>Part No.</b>	<b>Matrix</b>	<b>Description</b>
100	2934 40 709 / 5	A B C	COOLING UNIT,407
101	173 22 800 / 8	A B C	Cap
102	2933 55 700 / 7	A B C	cover sheet
116	2931 82 901 / 0	A B C	outlet tube
118	2931 82 801 / 2	A B C	Drip tray
120	8227 05 001 / 3	A B C	Instructions for use
999	8227 06 401 / 4	A B C	spare parts list

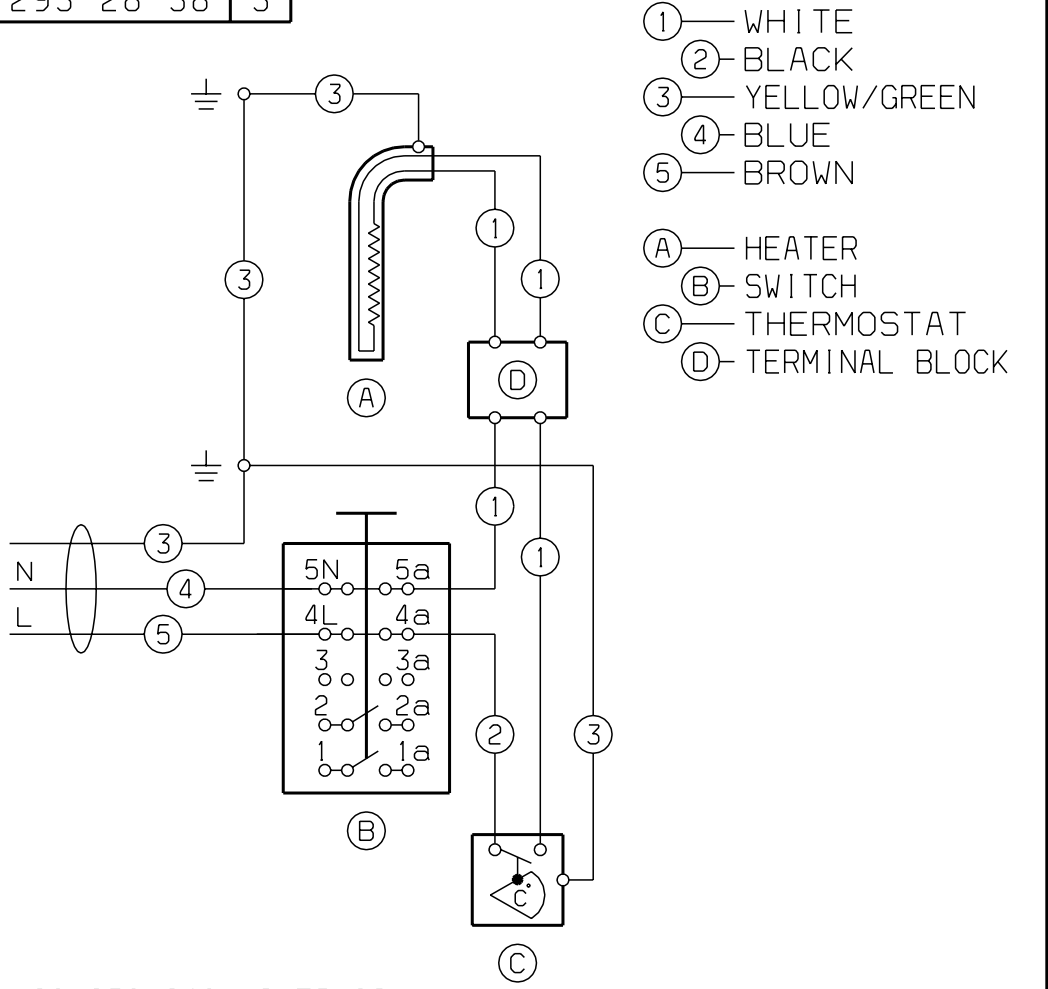


NCMOA2043368

<b>Matrix</b>	<b>PNC</b>	<b>Model</b>
A	921176005	V110GE
B	921176006	V110GE
C	921176004	V110GE

<b>Pos</b>	<b>Part No.</b>	<b>Matrix</b>	<b>Description</b>
2	2932 80 711 / 4	A B C	DOOR REFRIGERATOR,GR
3	2059 61 903 / 7	A B C	Plug,gre
4	2059 34 203 / 6	A B C	Hinge bushing,gre
8	2080 37 502 / 1	A B C	Handle,gre
9	2058 28 804 / 0	A B C	Screw,gre
13	2955 00 600 / 8	A B C	Thermometer
14	2955 00 700 / 6	A B C	Plug
15	2955 00 800 / 4	A B C	cable holder
19	2932 80 900 / 3	A B C	name plate,SIBIR

293 28 38 | 3



120, 230, 240 VOLTS AC