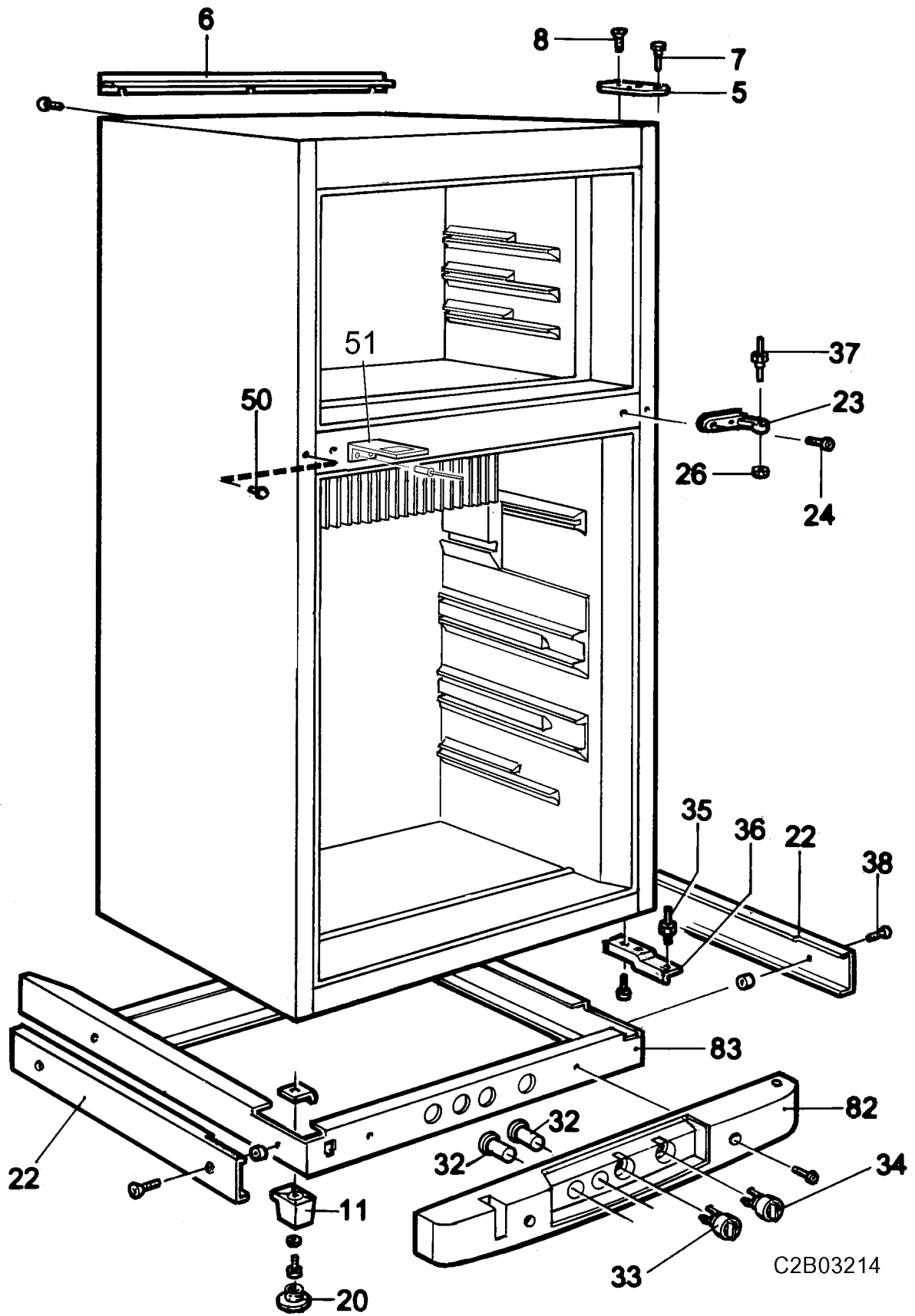


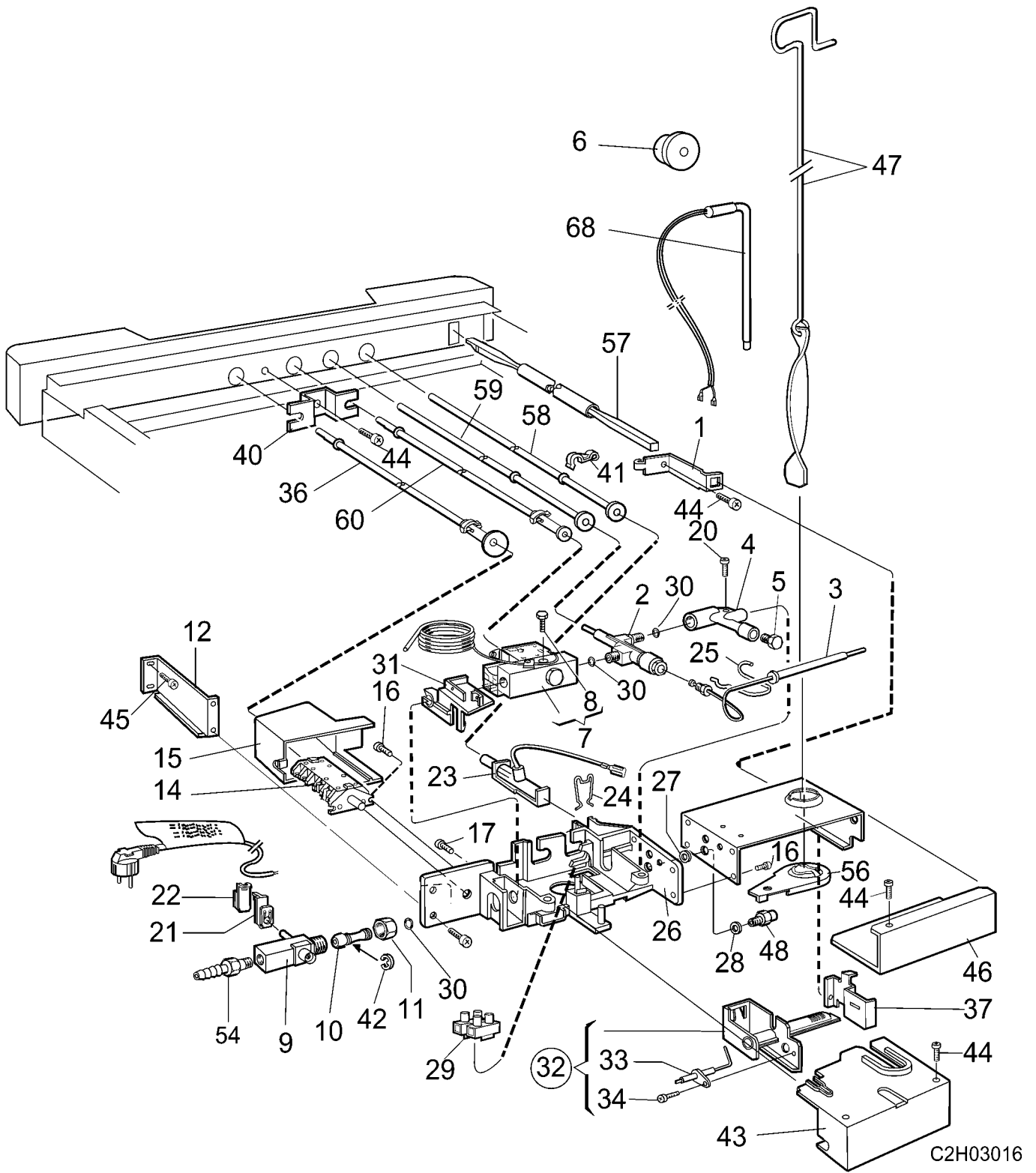
	PNC	Brand	Model	Market
A	921174005	Sibir (N-SR)	V170GE	ZZ
B	921174006	Sibir (N-SR)	V170GE	ZZ
C	921174007	Sibir (N-SR)	V170GE	ZZ
D	921174008	Sibir (N-SR)	V170GE	ZZ

	Cold chain	
AEG Hausgeräte GmbH Muggenhofer Straße 135 D-90429 Nürnberg Germany Fax +49 (0)911 323 1420	Publ.No. 599510444 2001/4/25 MO	822 70 51-01



Matrix	PNC	Model
A	921174005	V170GE
B	921174006	V170GE
C	921174007	V170GE
D	921174008	V170GE

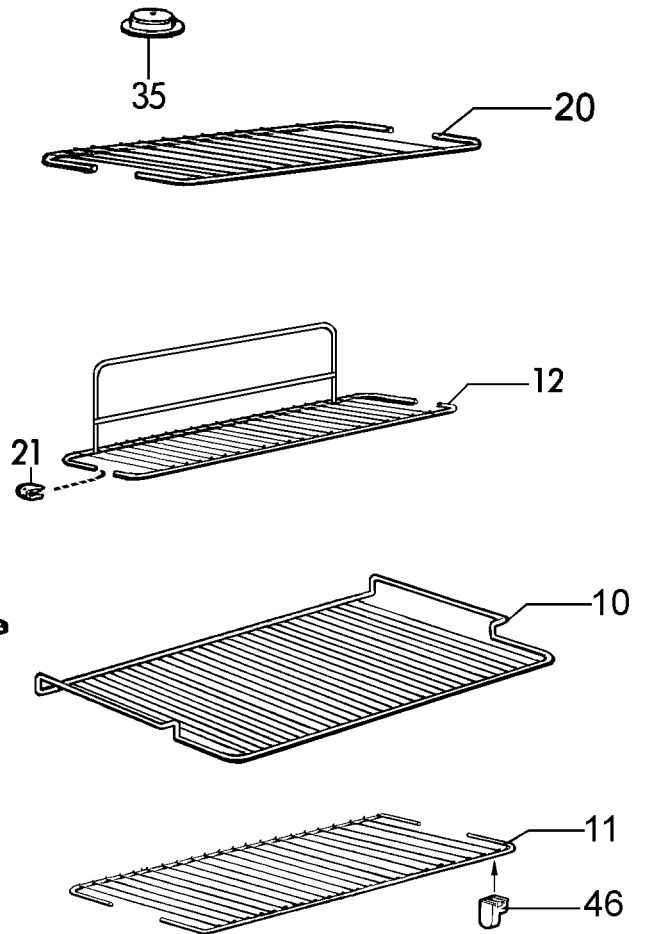
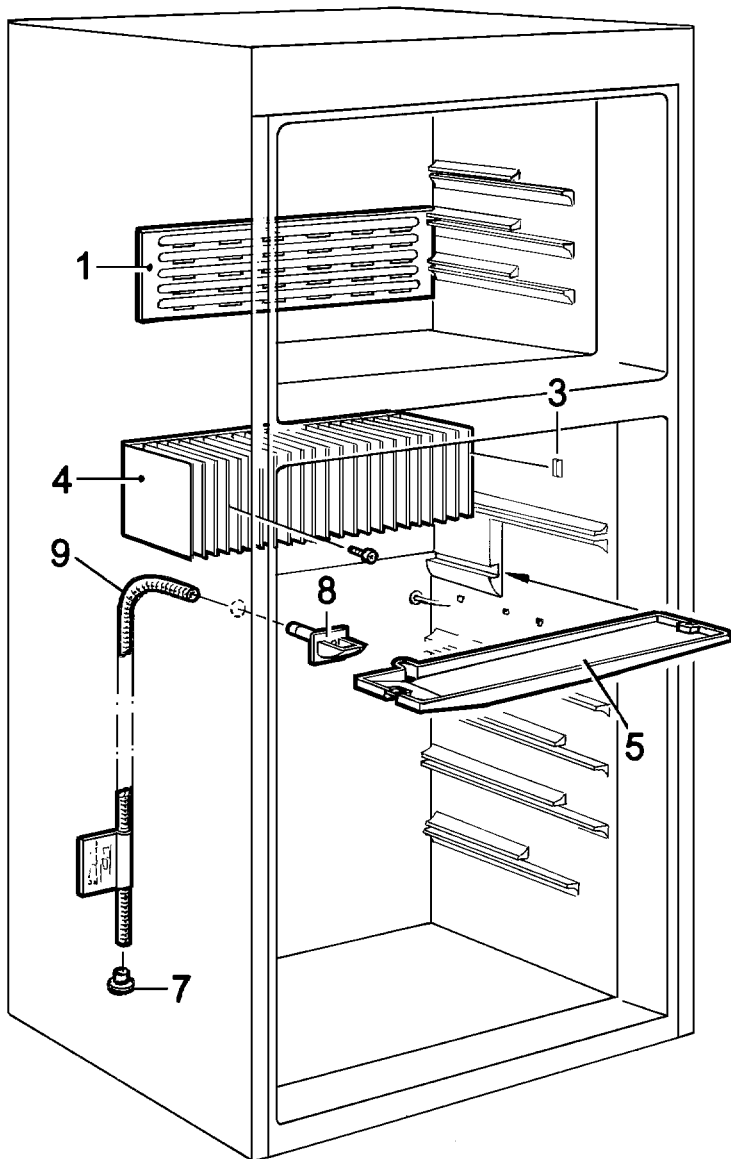
Pos	Part No.	Matrix	Description
5	2932 78 704 / 3	A B C D	Hinge,upper R,green
6	2932 80 104 / 2	A B C D	Protection bar,green
7	2932 79 001 / 3	A B C D	Hinge pin,upper
8	7243 32 761 / 1	A B C D	Screw,zinc-plated,MFX M5x12
11	2004 00 300 / 6	A B C D	Foot,RA34
20	2002 59 900 / 5	A B C D	Foot,adjustable
22	2932 79 504 / 6	A B C D	Cover strip,green
23	2932 78 804 / 1	A B C D	Hinge,middle,green
24	7241 33 101 / 1	A B C D	Screw,zinc-plated,M2X,M5X20
26	2940 71 501 / 0	A B C D	Nut,white,Hinge
32	2007 47 908 / 8	A B C D	Button,pressure,gre
33	2007 48 033 / 4	A B C D	Thermostat knob,complete,gre
34	2007 48 036 / 7	A B C D	Knob,complete,gre
35	2932 79 201 / 9	A B C D	Hinge pin,lower
36	2932 78 902 / 3	A B C D	Hinge,lower,right
37	2932 79 101 / 1	A B C D	Hinge pin,middle
38	7296 41 501 / 6	A B C D	Screw,zinc-plated,FXS B10X22
50	2932 37 302 / 6	A B C D	Plug,beige
51	2932 83 501 / 6	A B C D	locking bow
82	2932 78 207 / 7	A B C D	operating panel,lower
83	2932 83 601 / 4	A B C D	Base



Matrix	PNC	Model
A	921174005	V170GE
B	921174006	V170GE
C	921174007	V170GE
D	921174008	V170GE

Pos	Part No.	Matrix	Description
1	2007 64 800 / 5	A B C D	Holder,light conductor
2	2931 65 701 / 5	A B C D	safety valve
3	2931 49 604 / 2	A B C D	thermo element
4	2007 51 800 / 0	A B C D	Coupling
5	169 38 000 / 3	A B C D	Screw,Plug
6	2002 30 100 / 6	A B C D	Plug
7	3850 22 301 / 1	A B C D	Thermoregulator,V61-PO130
8	172 81 903 / 9	A B C D	by-pass screw,S14,8
9	2007 43 002 / 4	A B C D	gas cock
10	2007 42 900 / 0	A B C D	nipple
11	172 80 900 / 6	A B C D	Nut
12	2932 79 602 / 8	A B C D	Bracket
14	2007 43 200 / 4	A B C D	Switch
15	2007 43 900 / 9	A B C D	Cap
16	7295 71 301 / 5	A B C D	Screw,RXK,B6X9,5,FZ
17	7241 28 761 / 9	A B C D	Screw,zinc-plated,M4X8
20	7295 28 501 / 4	A B C D	Screw,zinc-plated,RXS B6X19
21	2007 57 701 / 4	A B C D	Spring
22	2007 57 800 / 4	A B C D	Spring
23	2007 42 300 / 3	A B C D	piezo lighter
24	2007 42 400 / 1	A B C D	retaining spring
25	2007 42 500 / 8	A B C D	retaining spring
26	2007 41 000 / 0	A B C D	Holder
27	7344 91 510 / 8	A B C D	Tray
28	2007 45 700 / 1	A B C D	Tray,0,5mm
29	7627 20 256 / 2	A B C D	Junction block
30	140 74 800 / 5	A B C D	sealing ring,o-ring,T2527-1
31	2007 42 800 / 2	A B C D	Snapper
32	2007 50 303 / 6	A B C D	Burner,complete
33	2930 37 900 / 9	A B C D	Electrode
34	7295 22 101 / 9	A B C D	Screw,RXS,B4x6,5
36	2007 47 504 / 5	A B C D	Axle,complete
37	2007 65 101 / 7	A B C D	guidance,Burner
40	2007 56 700 / 7	A B C D	Support,Axle
41	2005 11 200 / 4	A B C D	Clip
42	7353 11 321 / 5	A B C D	e-ring,zinc-plated,8
43	2007 44 000 / 7	A B C D	Cap
44	7295 27 901 / 7	A B C D	Screw,zinc-plated,RXS,B6X10
45	7241 28 961 / 5	A B C D	Screw,zinc-plated,MRX,M4X10
46	2007 50 500 / 7	A B C D	Cover
47	2932 66 703 / 9	A B C D	flame spreader
48	2007 41 921 / 7	A B C D	Jet,complete,no58
54	2932 29 301 / 8	A B C D	nipple
56	2007 45 801 / 7	A B C D	interlocking washer

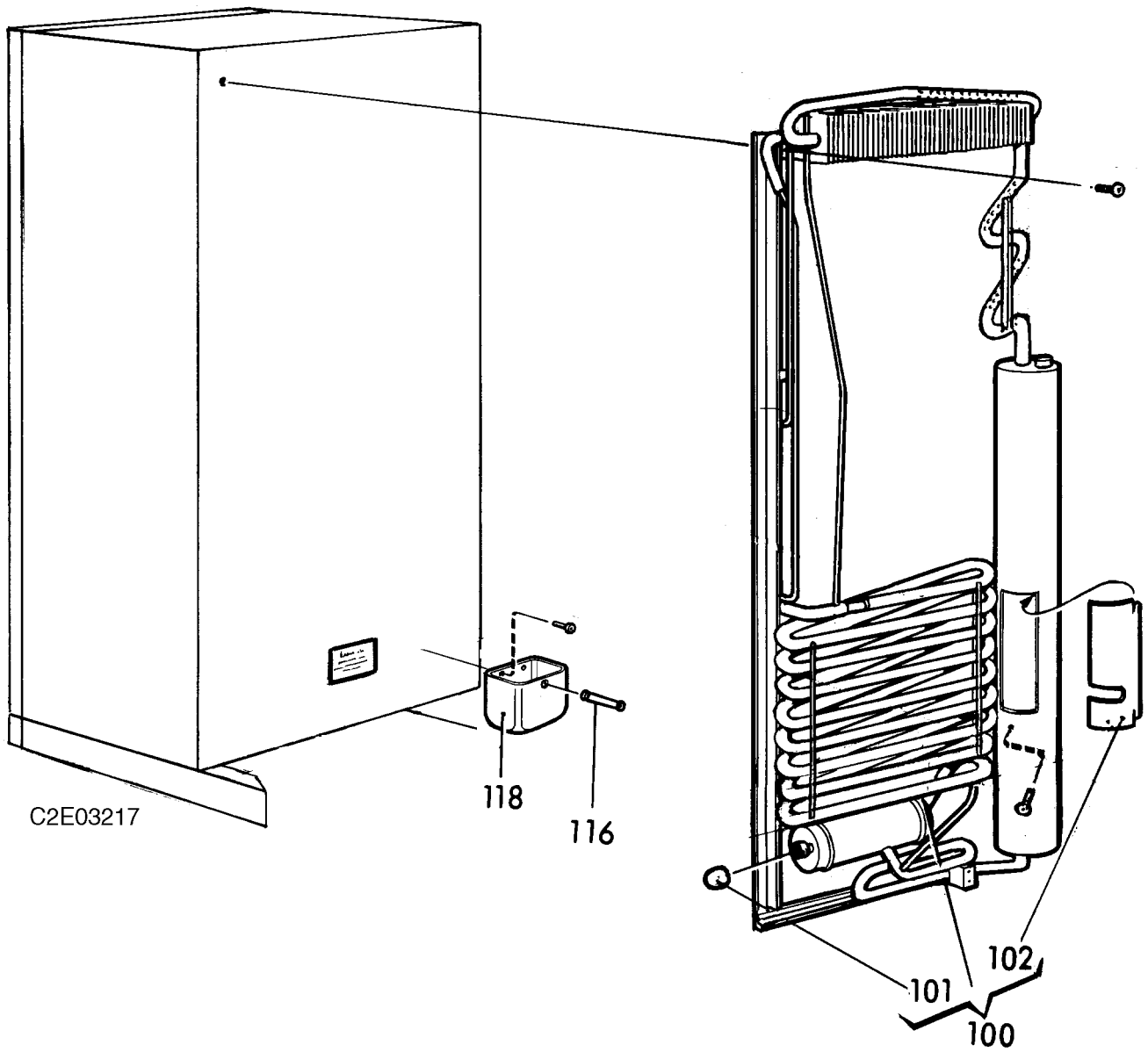
57	2932 79 701 / 8	A B C D	light conductor
58	2007 46 811 / 5	A B C D	Push rod
59	2007 46 809 / 9	A B C D	Push rod
60	2007 47 104 / 4	A B C D	shaft,complete
68	173 74 224 / 8	- B - -	heating element,230V/325W
	173 74 225 / 5	- - C D	heating element,240V/325W
	173 74 227 / 1	A - - -	heating element,120V/325W



NCMOD2043303

Matrix	PNC	Model
A	921174005	V170GE
B	921174006	V170GE
C	921174007	V170GE
D	921174008	V170GE

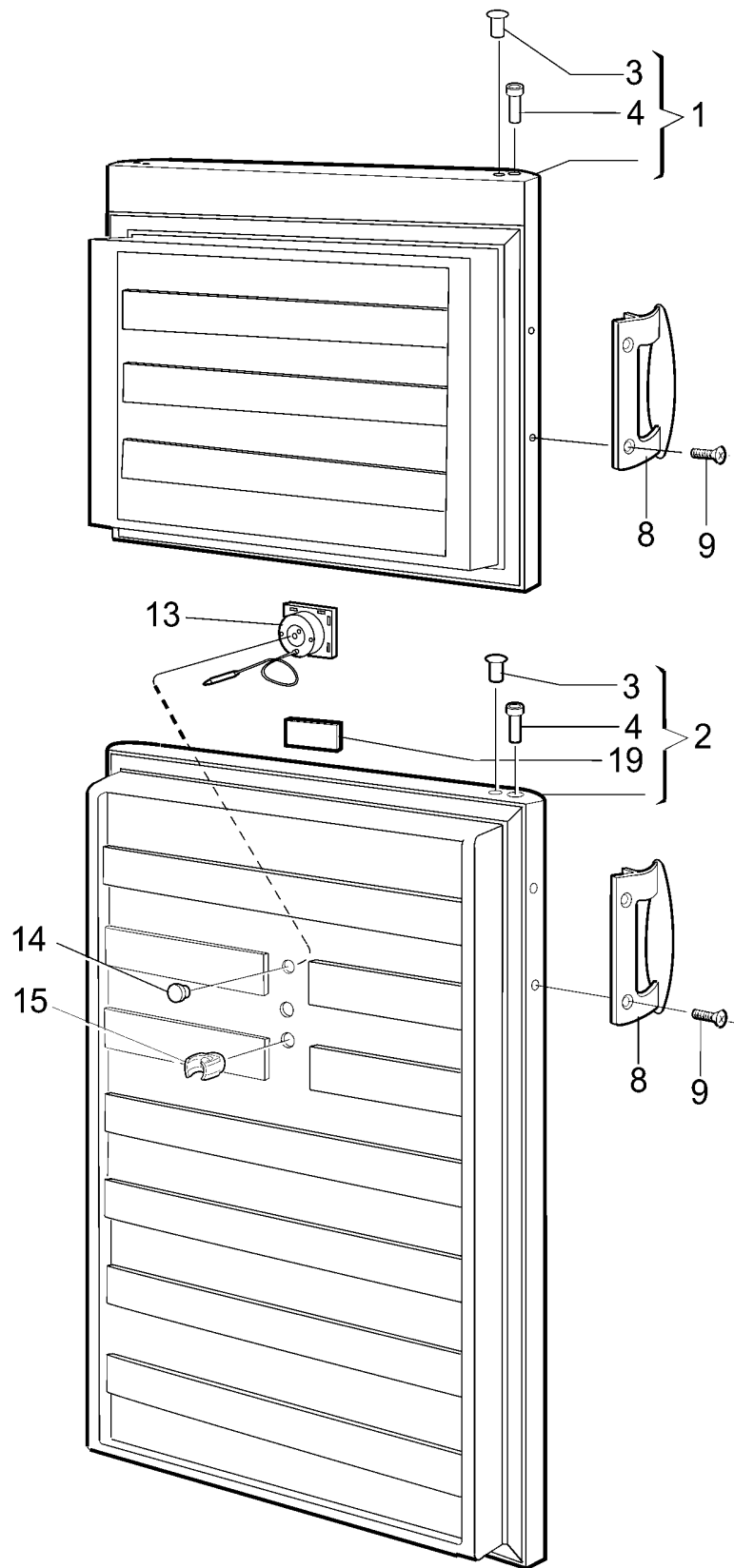
Pos	Part No.	Matrix	Description
1	2932 72 801 / 3	A B C D	Coverplate
3	2954 08 300 / 8	A B C D	Bracket
4	2932 63 002 / 9	A B C D	cooling flange
5	2932 62 401 / 4	A B C D	Evaporation tray
7	2932 11 501 / 3	A B C D	discharge pipe
8	2932 63 501 / 0	A B C D	drain
9	2932 74 904 / 3	A B C D	discharge hose,l=500
10	2933 02 701 / 9	A B C D	Grating shelf
11	2932 62 501 / 1	A B C D	Grating shelf,zinc-plated,d=273
12	3850 33 902 / 3	A B C D	Grating shelf
20	2932 62 701 / 7	A B C D	Grating shelf,Freezer
21	2932 66 801 / 1	A B C D	shelf lock
35	2007 64 501 / 9	A B C D	water level
46	2930 69 304 / 5	A B C D	Holder



C2E03217

Matrix	PNC	Model
A	921174005	V170GE
B	921174006	V170GE
C	921174007	V170GE
D	921174008	V170GE

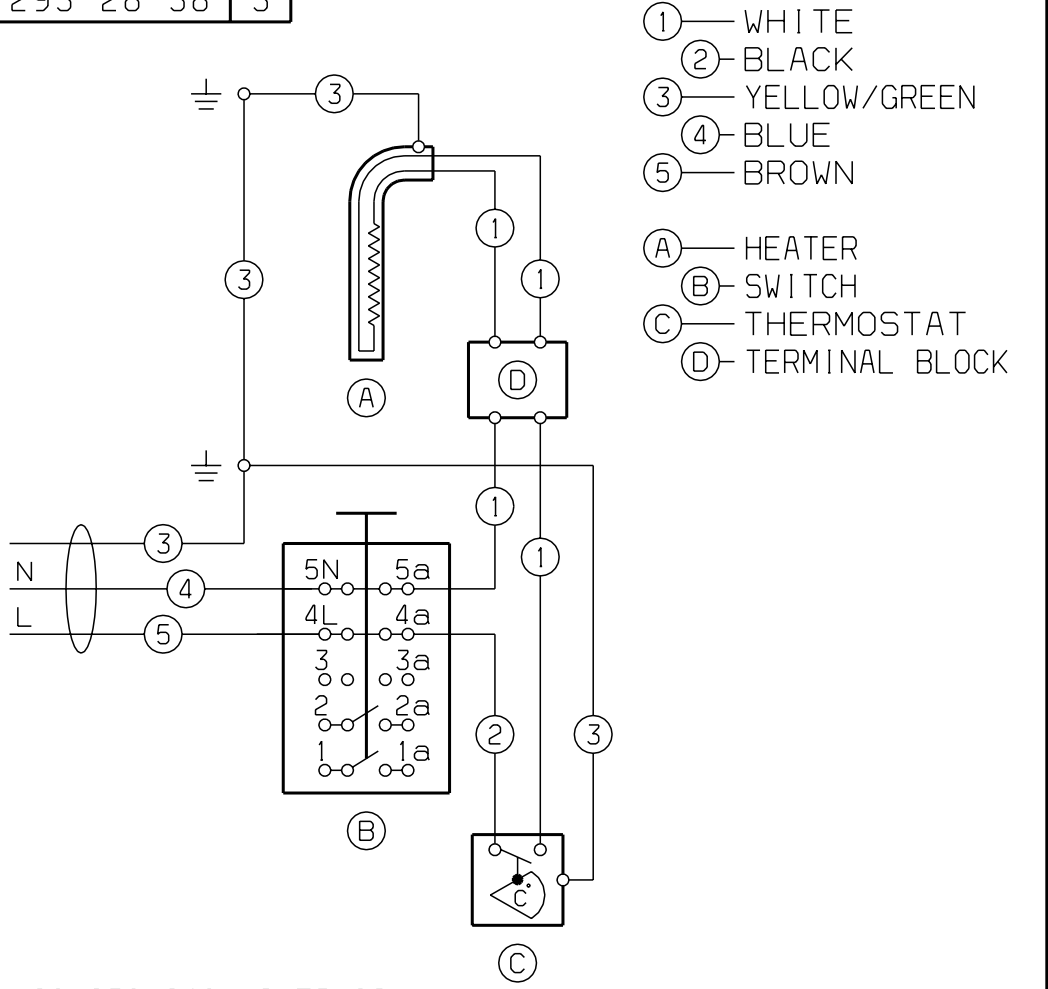
Pos	Part No.	Matrix	Description
100	2934 60 709 / 0	A B C D	cooling unit
101	173 22 800 / 8	A B C D	Cap
102	2933 55 700 / 7	A B C D	cover sheet
116	2931 82 901 / 0	A B C D	outlet tube
118	2931 82 801 / 2	A B C D	Drip tray
120	8227 05 001 / 3	A B C D	Instructions for use
999	8227 05 101 / 1	A B C D	spare parts list,V170GE



Matrix	PNC	Model
A	921174005	V170GE
B	921174006	V170GE
C	921174007	V170GE
D	921174008	V170GE

Pos	Part No.	Matrix	Description
1	2932 80 309 / 7	A B C D	Freezer door,complete,green
2	2932 80 411 / 1	A B C D	Fridge door,complete,green
3	2059 61 903 / 7	A B C D	Plug,gre
4	2059 34 203 / 6	A B C D	Hinge bushing,gre
8	2080 37 502 / 1	A B C D	Handle,gre
9	2058 28 804 / 0	A B C D	Screw,gre
13	2955 00 600 / 8	A B C D	Thermometer
14	2955 00 700 / 6	A B C D	Plug
15	2955 00 800 / 4	A B C D	cable holder
19	2932 80 900 / 3	A B C D	name plate,SIBIR

293 28 38 | 3



120, 230, 240 VOLTS AC