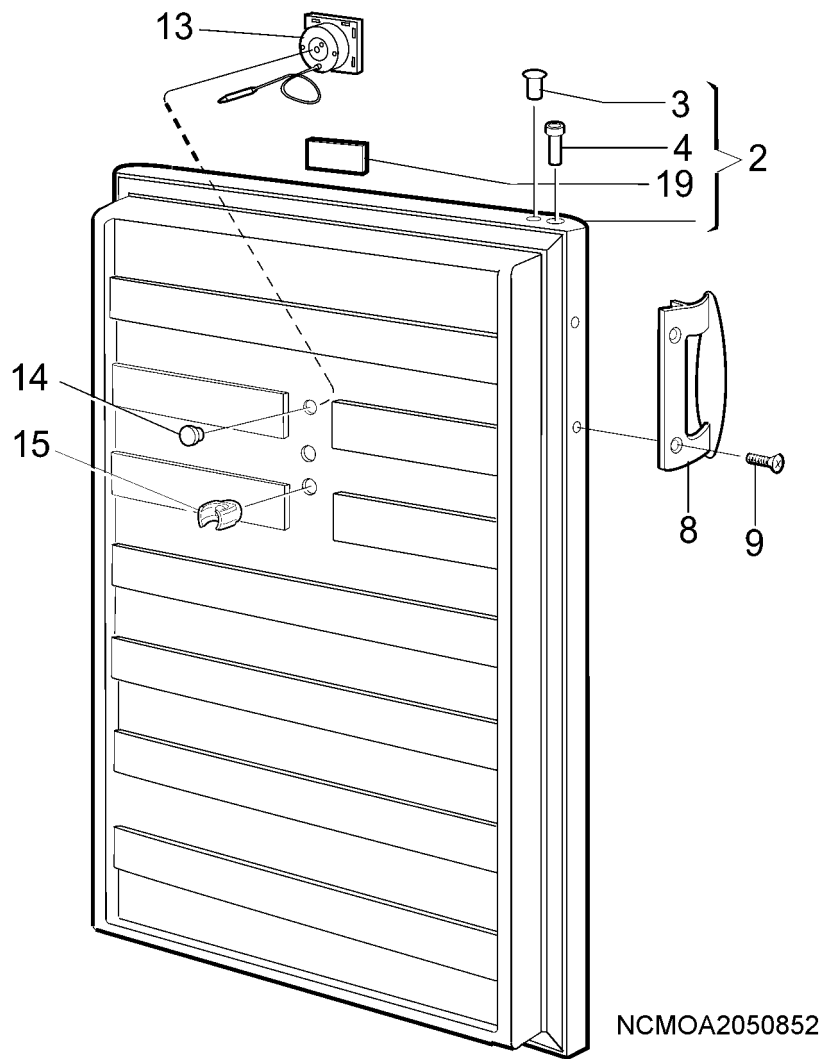


| | PNC | Brand | Model | Market |
|---|------------|--------------|--------------|---------------|
| A | 921177005 | Sibir (N-SR) | V110KE | ZZ |
| B | 921177004 | Sibir (N-SR) | V110KE | ZZ |

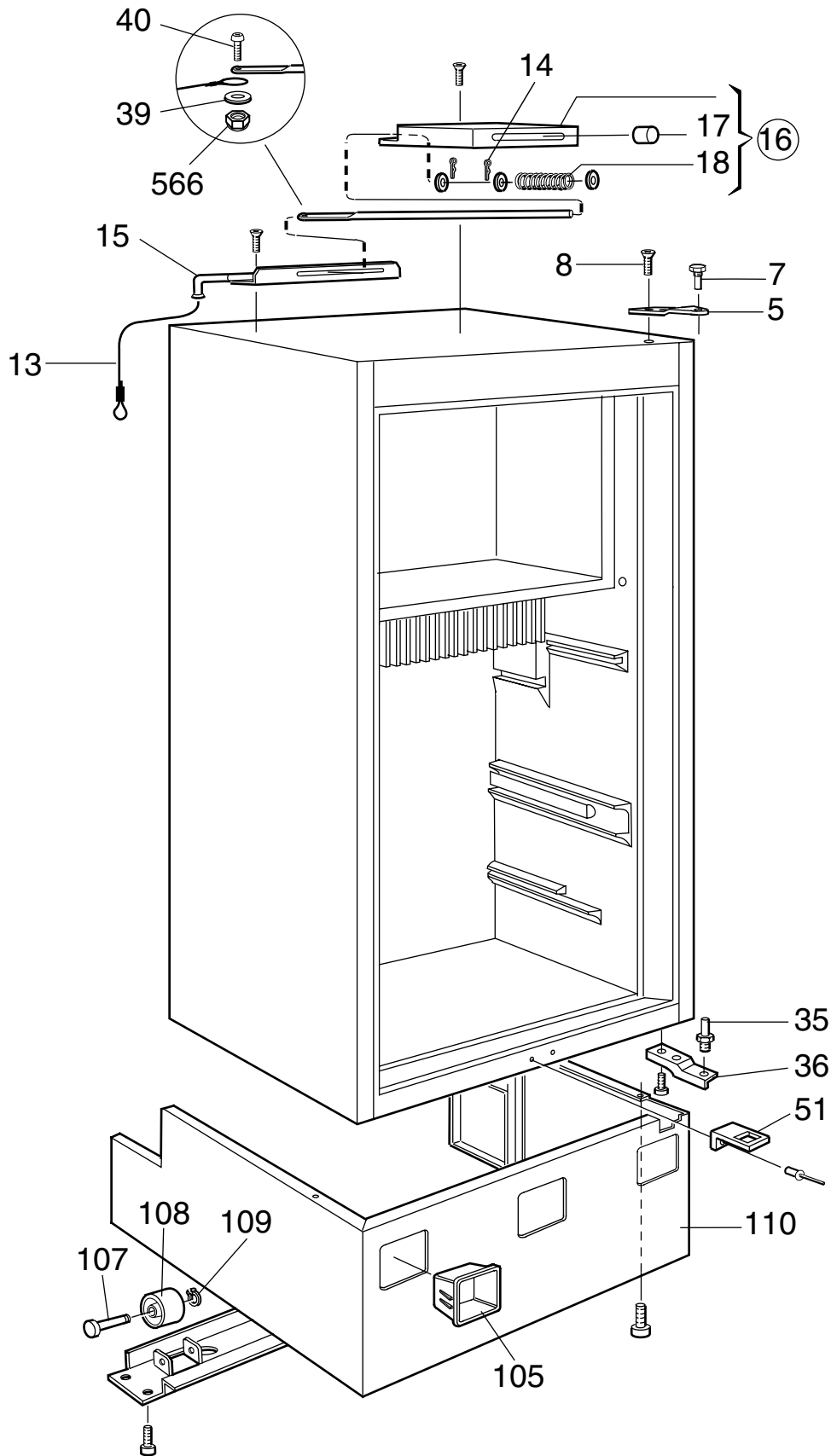
822 70 71-02

| | | |
|---|------------|--|
| | Cold chain | |
| Electrolux Hemprodukter AB SE-561 83 HUSKVARNA Order +46 36-14 71 50 Fax +46 36-14 71 70 | | Publ.No. 599512578 2001/12/6 MO |



| Matrix | PNC | Model |
|---------------|------------|--------------|
| A | 921177005 | V110KE |
| B | 921177004 | V110KE |

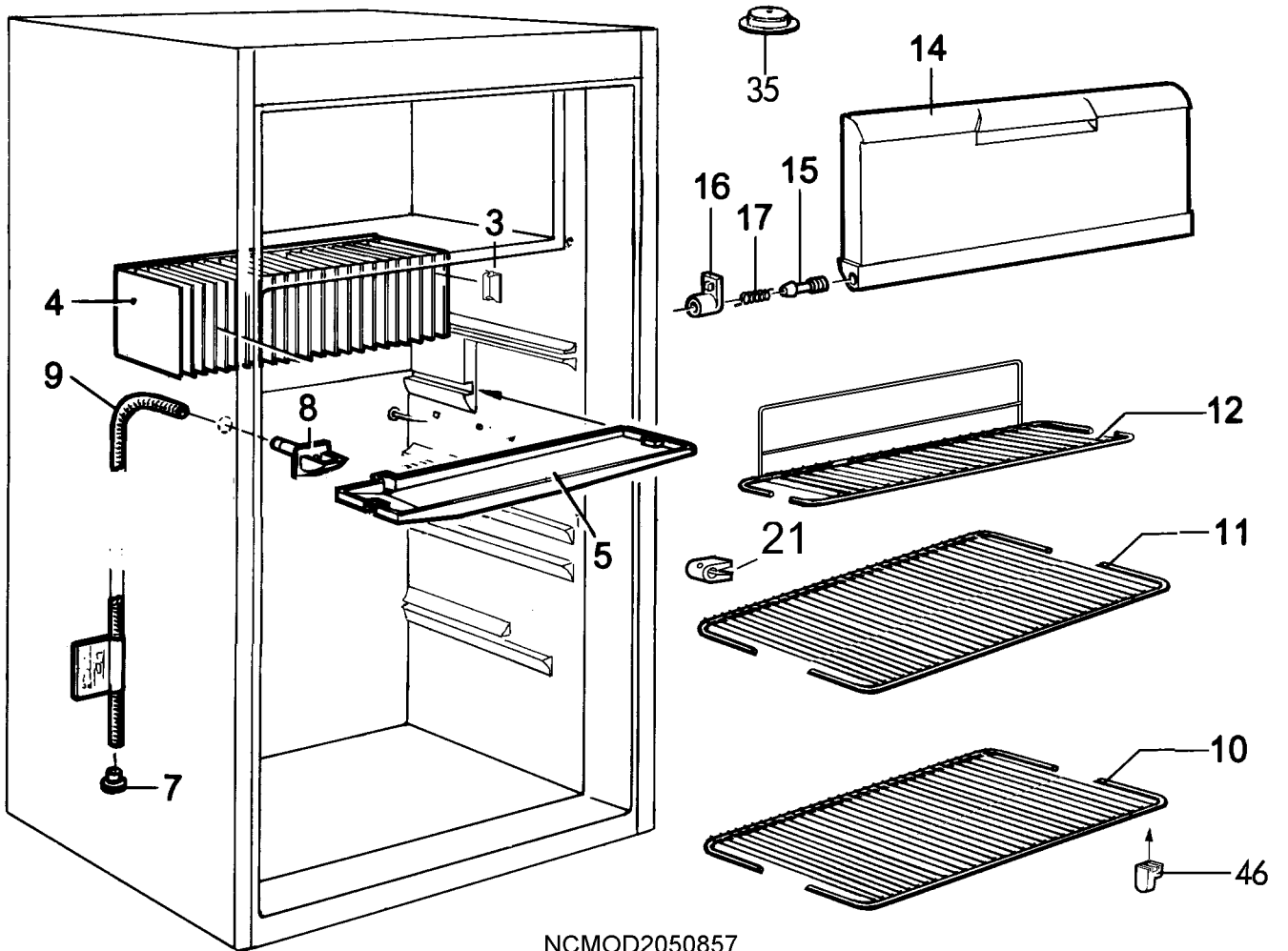
| Pos | Part No. | Matrix | Description |
|------------|-----------------|---------------|---------------------------------------|
| 2 | 2932 80 711 / 4 | A B | Refrigerator door,complete,green,h896 |
| 3 | 2059 61 903 / 7 | A B | Plug,grey |
| 4 | 2059 34 203 / 6 | A B | Hinge bushing,grey |
| 8 | 2080 37 502 / 1 | A B | Handle,grey |
| 9 | 2058 28 804 / 0 | A B | Screw,grey |
| 13 | 2955 00 600 / 8 | A B | Thermometer |
| 14 | 2955 00 700 / 6 | A B | Plug |
| 15 | 2955 00 800 / 4 | A B | cable holder |
| 19 | 2932 80 900 / 3 | A B | name plate,SIBIR |



NCMOB2050856

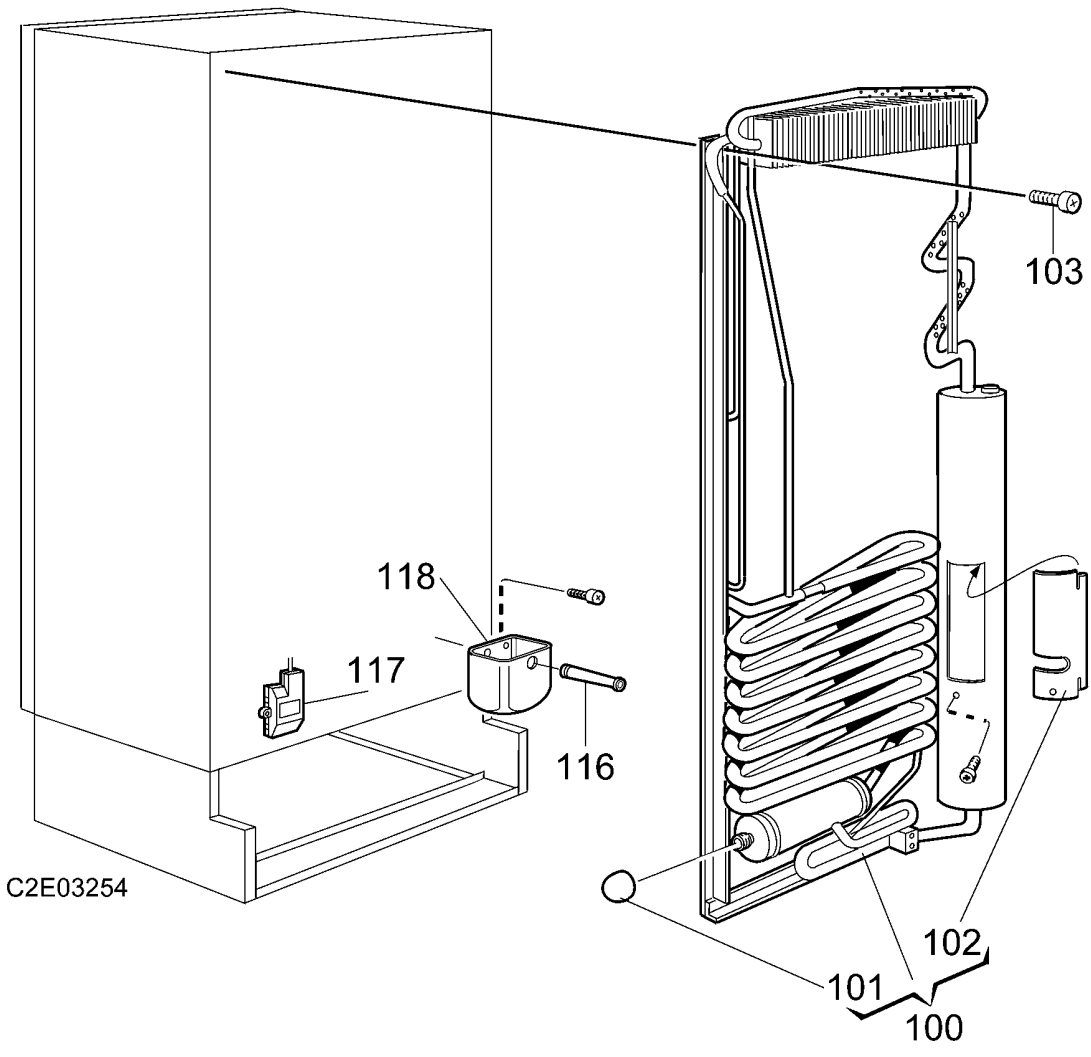
| Matrix | PNC | Model |
|---------------|------------|--------------|
| A | 921177005 | V110KE |
| B | 921177004 | V110KE |

| Pos | Part No. | Matrix | Description |
|------------|-----------------|---------------|------------------------------|
| 5 | 2932 78 704 / 3 | A B | Hinge,upper R,green |
| 7 | 2932 79 001 / 3 | A B | Hinge pin,upper |
| 8 | 7243 32 761 / 1 | A B | Screw,zinc-plated,MFX M5x12 |
| 13 | 3850 37 901 / 1 | A B | wire,cpl. |
| 14 | 2932 44 701 / 0 | A B | locking spring |
| 15 | 2932 44 902 / 4 | A B | angle bracket,Pipe,complete |
| 16 | 2932 45 301 / 8 | A B | lid,complete |
| 17 | 2932 44 501 / 4 | A B | End cap |
| 18 | 156 58 900 / 4 | A B | Spring |
| 35 | 2932 79 201 / 9 | A B | Hinge pin,lower |
| 36 | 2932 78 902 / 3 | A B | Hinge,lower,right |
| 39 | 7344 88 001 / 3 | A B | Washer |
| 40 | 3858 00 402 / 5 | A B | Screw,MRX M4x12 |
| 51 | 2932 83 501 / 6 | A B | locking bow |
| 105 | 2932 89 002 / 9 | A B | sleeve,grey |
| 107 | 2932 89 401 / 3 | A B | shaft |
| 108 | 2932 89 701 / 6 | A B | Wheel |
| 109 | 7353 10 821 / 5 | A B | Spring ring |
| 110 | 2932 92 604 / 7 | A B | Base,green,complete |
| 566 | 7322 11 201 / 7 | A B | hexagon nut,salf-assuring,M4 |



| Matrix | PNC | Model |
|---------------|------------|--------------|
| A | 921177005 | V110KE |
| B | 921177004 | V110KE |

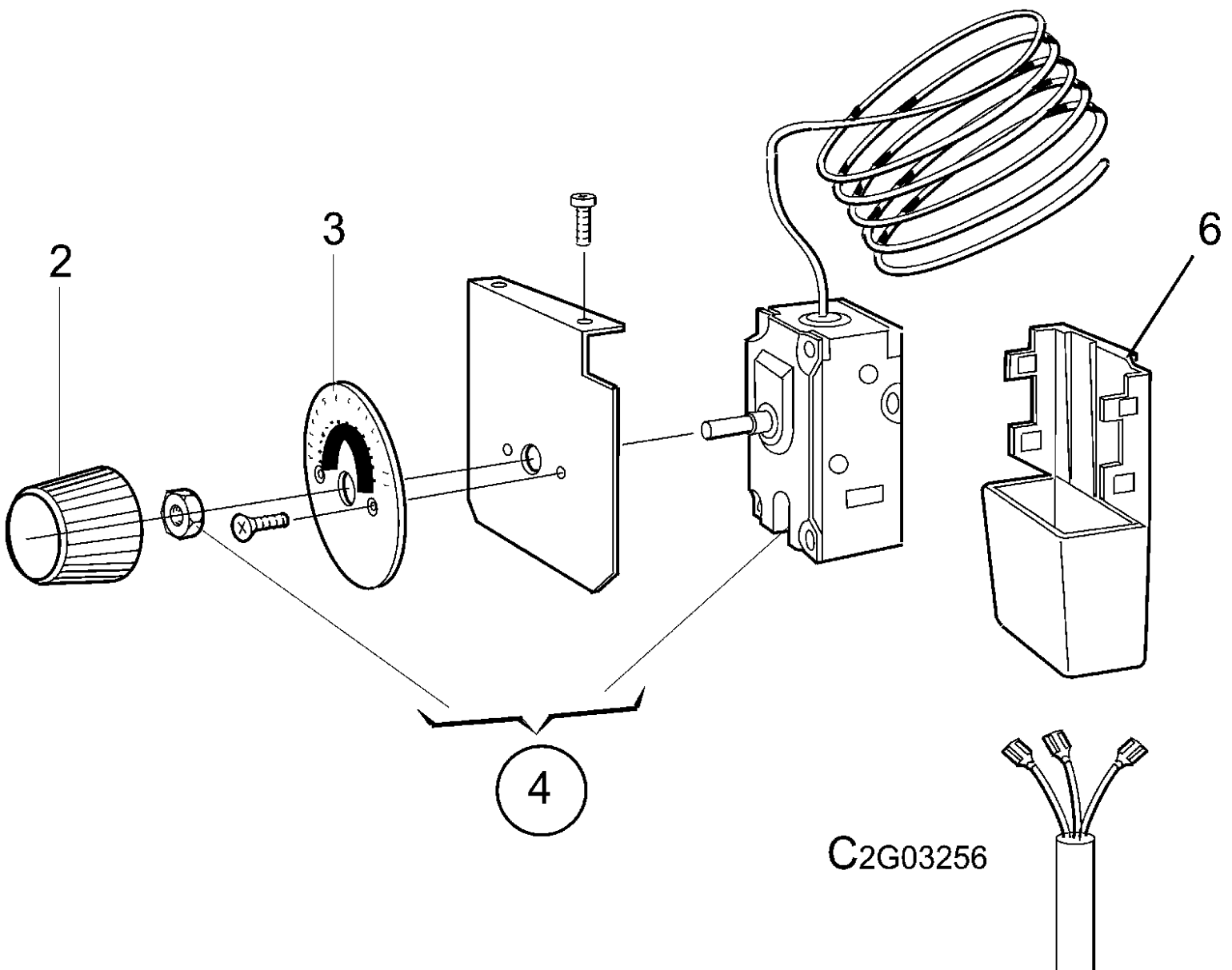
| Pos | Part No. | Matrix | Description |
|------------|-----------------|---------------|----------------------------------|
| 3 | 2954 08 300 / 8 | A B | Bracket |
| 4 | 2932 62 801 / 5 | A B | cooling flange |
| 5 | 2932 62 301 / 6 | A B | Evaporation tray |
| 7 | 2932 11 501 / 3 | A B | discharge pipe,Plug |
| 8 | 2932 63 501 / 0 | A B | drain |
| 9 | 2932 74 904 / 3 | A B | discharge hose,l=500 |
| 10 | 2932 62 501 / 1 | A B | Grating shelf,zinc-plated,d=273 |
| 11 | 2932 62 503 / 7 | A B | Grating shelf,zinc-plated,d236 |
| 12 | 3850 33 901 / 5 | A B | Grating shelf,zinc-plated,d162mm |
| 14 | 2932 65 001 / 9 | A B | Flap freezer- |
| 15 | 2002 23 800 / 0 | A B | Bolt |
| 16 | 2002 23 600 / 4 | A B | spring casing,left |
| | 2002 23 601 / 2 | A B | spring casing,right |
| 17 | 2932 75 401 / 9 | A B | Spring,left |
| | 2932 75 402 / 7 | A B | Spring,right |
| 21 | 2932 66 801 / 1 | A B | shelf lock |
| 35 | 2007 64 501 / 9 | A B | water level |
| 46 | 2930 69 304 / 5 | A B | Holder |



C2E03254

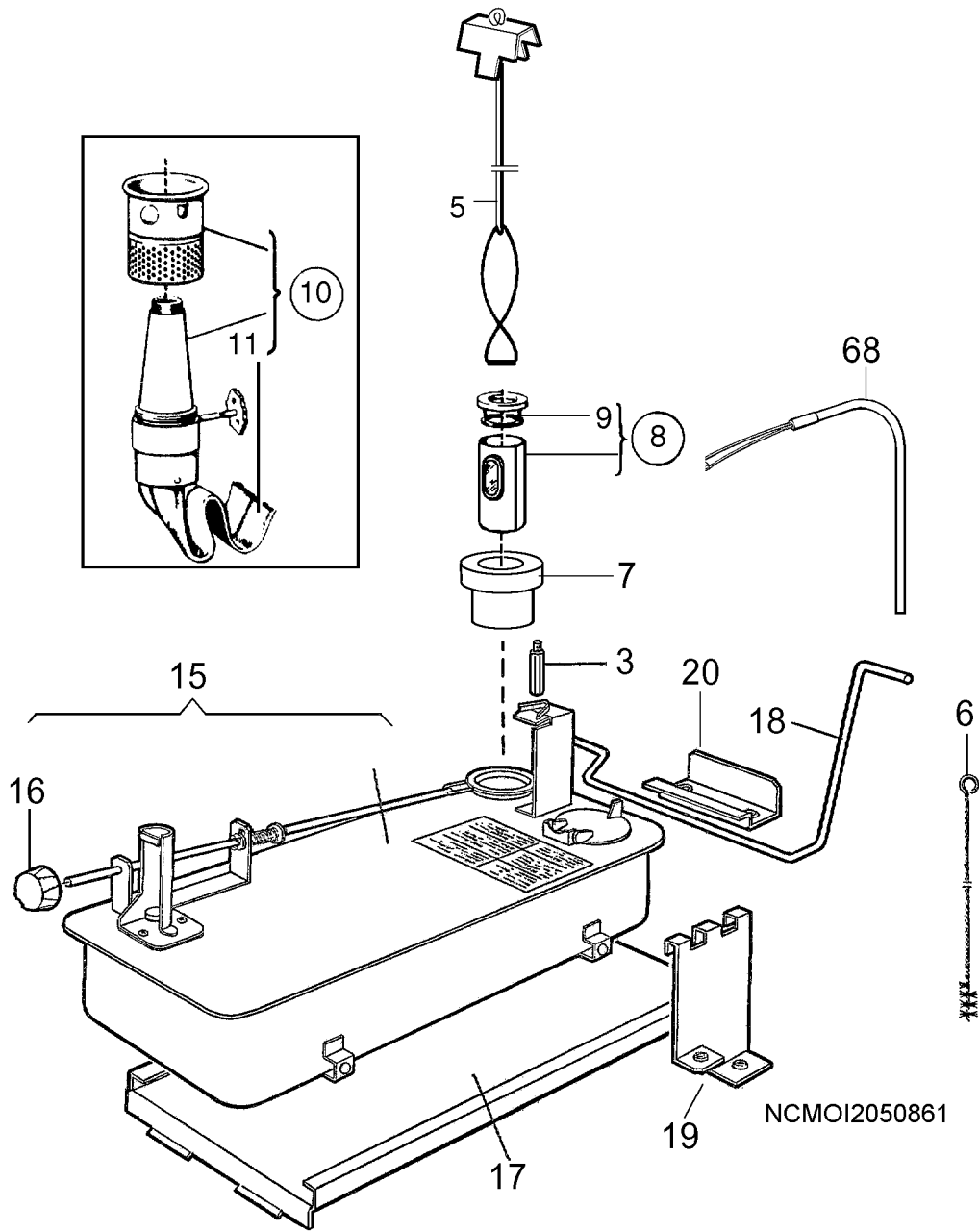
| Matrix | PNC | Model |
|---------------|------------|--------------|
| A | 921177005 | V110KE |
| B | 921177004 | V110KE |

| Pos | Part No. | Matrix | Description |
|------------|-----------------|---------------|--|
| 100 | 2934 40 809 / 3 | A B | cooling unit,408 |
| 101 | 173 22 800 / 8 | A B | Cap |
| 102 | 2933 55 700 / 7 | A B | cover sheet |
| 103 | 3858 02 001 / 3 | A B | Screw,zinc-plated,DK4.8x16P |
| 116 | 2931 82 901 / 0 | A B | outlet tube |
| 117 | 2932 23 001 / 0 | A B | cover |
| 118 | 2931 82 801 / 2 | A B | Drip tray |
| 999 | 8227 06 602 / 7 | A B | Instruction book <i>NOT ILLUSTRATED</i> |



| Matrix | PNC | Model |
|---------------|------------|--------------|
| A | 921177005 | V110KE |
| B | 921177004 | V110KE |

| Pos | Part No. | Matrix | Description |
|------------|-----------------|---------------|--------------------|
| 2 | 2932 08 401 / 1 | A B | Thermostat knob |
| 3 | 172 78 900 / 0 | A B | thermostat dial |
| 4 | 2930 75 802 / 0 | A B | Thermostat,K50 |
| 6 | 2932 43 201 / 2 | A B | thermostat cover |



| Matrix | PNC | Model |
|---------------|------------|--------------|
| A | 921177005 | V110KE |
| B | 921177004 | V110KE |

| Pos | Part No. | Matrix | Description |
|------------|-----------------|---------------|-------------------------|
| 3 | 2910 08 202 / 9 | A B | guide pin |
| 5 | 2930 37 703 / 7 | A B | flame spreader |
| 6 | 151 40 400 / 1 | A B | flue brush |
| 7 | 2932 99 501 / 8 | A B | Adaptor |
| 8 | 66 70 402 / 4 | A B | glass lamp,complete,10" |
| 9 | 2930 25 000 / 2 | A B | Insert,10" |
| 10 | 150 01 200 / 3 | A B | kerosene burner,10" |
| 11 | 62 74 500 / 5 | A B | wick |
| 15 | 2932 90 001 / 8 | A B | kerosene tank |
| 16 | 172 49 700 / 0 | A B | Button |
| 17 | 2932 88 701 / 7 | A B | rail |
| 18 | 2932 88 901 / 3 | A B | control bar |
| 19 | 2932 88 501 / 1 | A B | Cantilever |
| 20 | 2932 88 601 / 9 | A B | Retainer |
| 68 | 173 73 828 / 7 | - B | heater,120V/195W |
| | 173 73 829 / 5 | A - | heater,220V/195W |

- ① — BROWN
 - ② — BLUE
 - ③ — YELLOW/GREEN
 - ④ — BLACK
-
- Ⓐ — HEATER
 - Ⓑ — THERMOSTAT
 - Ⓒ — TERMINAL BLOCK

