

SIBIR

SPARE PARTS LIST COLD 3110

PRODUCT NO.	MODEL	MARKET
921362097	C55K	GEN.EXPORT

II. EDITION

REFRIGERATOR

C 55K C55GE

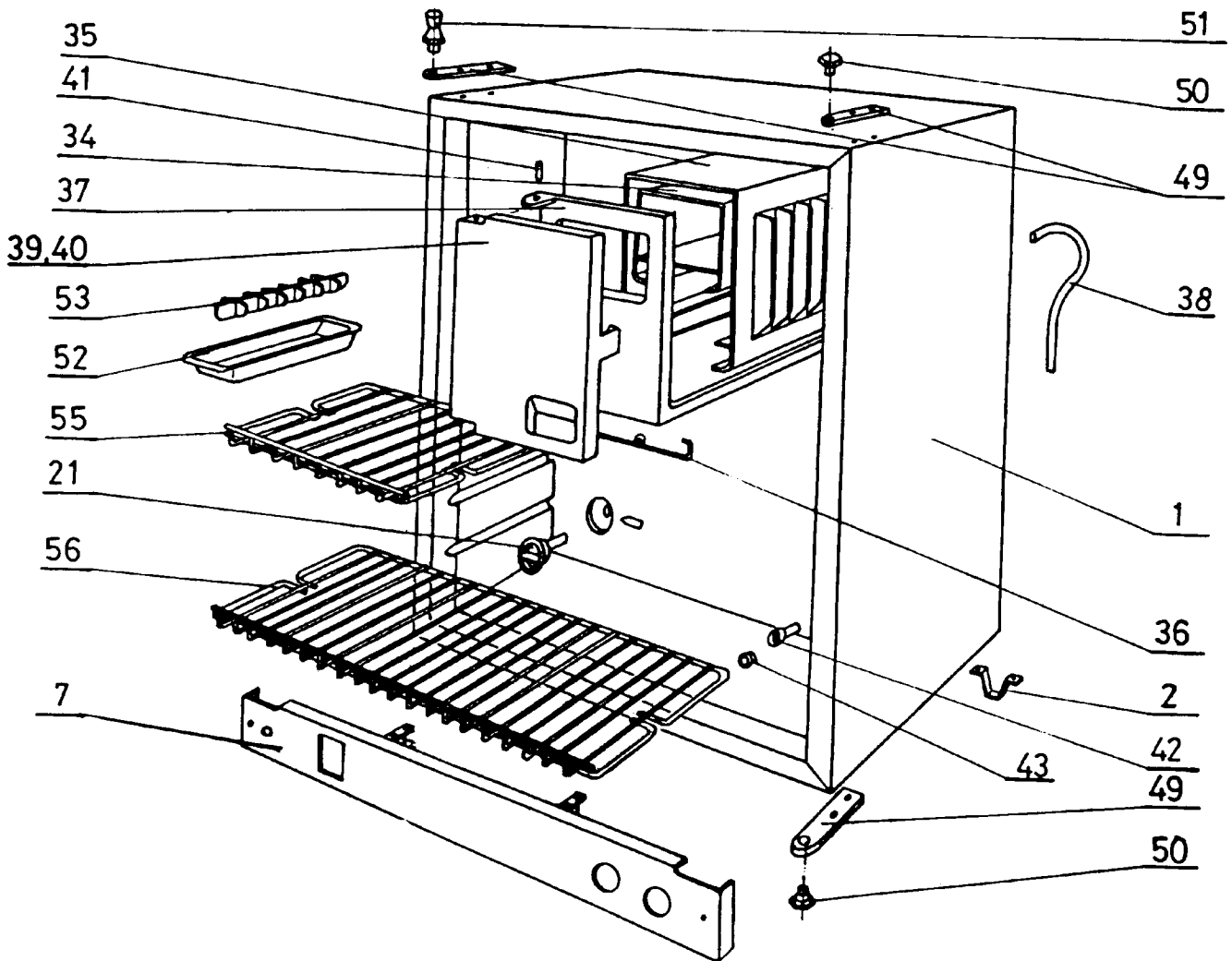
DISTRIPARTS HUNGARY
H-1392 P.O.Box 259

H-1142 Budapest
Erzsébet királyné útja 87.
TEL (36) 1 251-8444
Telefax: (36) 1 221-9866

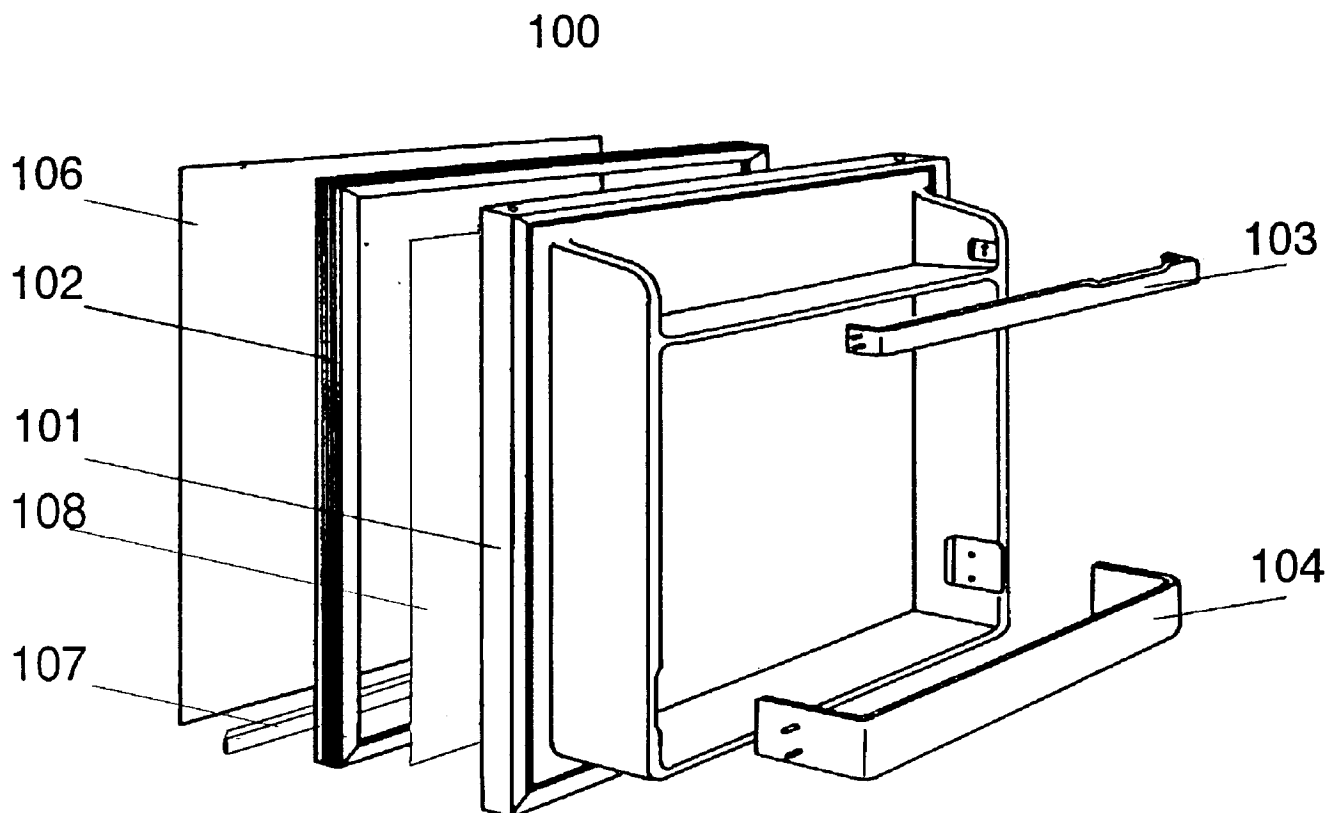
Publication No.

599 309 191/6

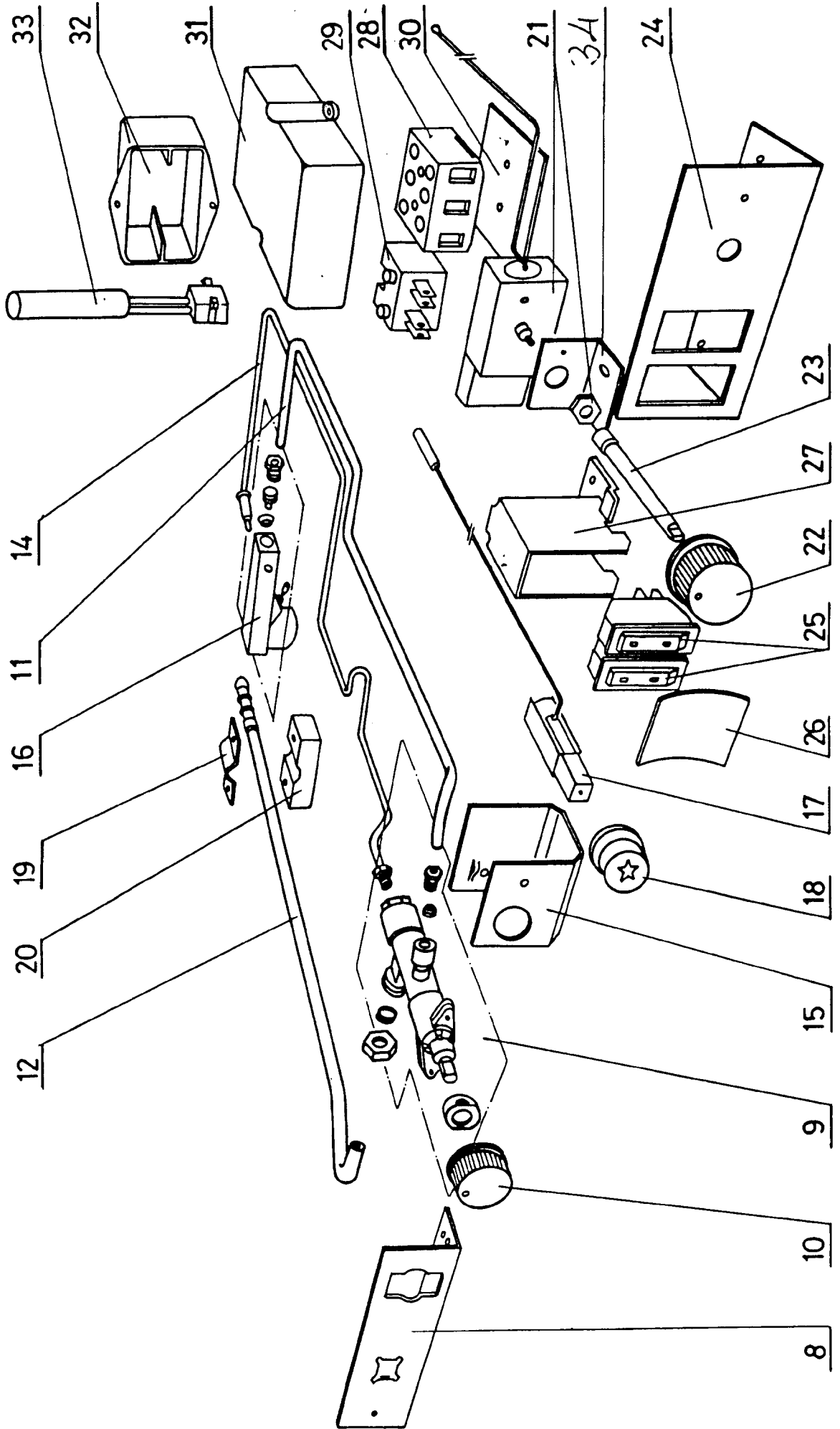
19.01.1996.
HUE/MSX 03
AL



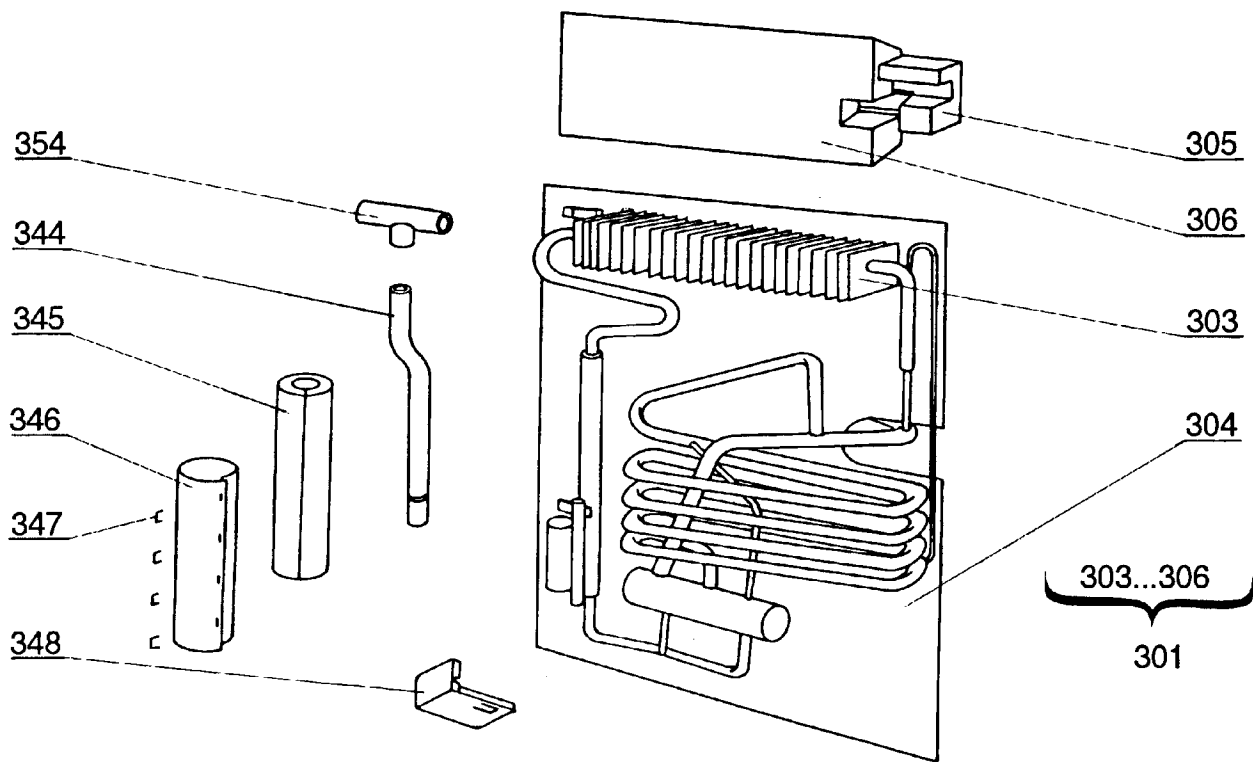
POS	PART NO	DESCRIPTION
1.	531045142 93/6	FOAMED BODY
2.	531043893-37/3	LEG
7.	531045162-92/6	CONTROL PANEL
21.	531043919-79/8	THERM. KNOB
28.	531020614-73/5	HINGE PIN
34.	531043119-89/4	COOLING BOX INTERNAL
35.	531043119-90/2	COOLING BOX EXTERNAL
36.	531020009-92/8	CATCH SPRING
37.	531043120-50/4	EVAPORATOR DOOR FRAME
38.	531043120-62/9	WATER SPOUT TUBE
39.	207.1709.14	EVAPORATOR DOOR
40.	531043120-86/8	INNER DOOR
41.	531043120-98/3	EVAPORATOR DOOR PIN
42.	531043121-08/0	INSPECTION TUBE
43.	531020620-91/4	PLUG
49.	531043880-33/9	SAFETY PLATE
51.	531020614-87/5	SECURING PIN (COMPL.)
52.	531043106-97/4	ICE TRAY
53.	531043107-07/1	ICE TRAY GRID
55.	531016022-75/2	WIRE SHELF, UPPER
56.	531016022-80/2	WIRE SHELF, LOWER



POS	PART NO	DESCRIPTION
100.	531046840-66/0	COMPLETE DOOR
101.	531043670-70/6	FOAMED DOOR
102.	531045140-65/8	DOOR GASKET
103.	531018101-25/7	EGG RECK
104.	531018101-30/7	BOTTLE HOLDER
106.	531017836-64/8	DOOR PLATE
107.	531017745-50/0	FIXING
108.	531017850-28/4	ISOLATION



POS	PART NO	DESCRIPTION
8.	531043919-55/8	HOLDER II.
9.	531016463-71/7	SAFETY VALVE
10.	531043919-18/6	KNOB (SFTY.VALVE)
11.	531045143-76/9	TUBE CONNECTION
12.	207.2134.01	GAS CONNECTION, COMPL.
14.	531014034-02/3	THERMOELEMENT
15.	531043738-27/1	HOLDER OF PIEZO IGNITER
16.	531016080-11/5	GAS BURNER
17.	531045135-13/8	PIEZO IGNITER COMPL.
18.	531043819-40/2	KNOB (PIEZO IGNITER)
21.	531 0165 86-83/0	THERMOSTAT
22.	531043919-79/8	THERMOSTAT KNOB
23.	531043179-49/2	EXTENSION JOINT PIN
24.	531045333-16/2	HOLDER I.
25.	531015807-92/2	SWITCH
26.	531015807-87/2	SWITCHING KEY
27.	531043791-31/2	COVER (SWITCH)
28.	531014983-84/9	BK-3 TERMINAL BLOCK
29.	531015879-67/3	TERMINAL BLOCK (CS-162)
30.	531040814-80/2	INSULATION
31.	531043739-60/0	COVER (BK-3)
32.	531040814-79/4	COVER (CS-162)
33.	531020500-71/0	HEATING ELEMENT
34.	531043950-68/6	THERM. HOLDER



POS	PART NO	DESCRIPTION
301.	531040815-75/9	AGGREGATE COMPL.
303.	531040815-87/4	AGGREGATE
304.	531043109-23/4	AGGREGATE MOUNTING
305.	531043109-35/8	FOAMED INSERT BACK
306.	531043109-47/3	FOAMED INSERT FRONT
344.	531040808-07/7	FLUE
345.	531043121-21/3	ISOLATION
346.	531043121-33/8	COVER
347.	531014761-12/0	CLIP
348.	531043121-45/2	COVER
354.	531043123-97/9	FLUE FITTING