

SIBIR

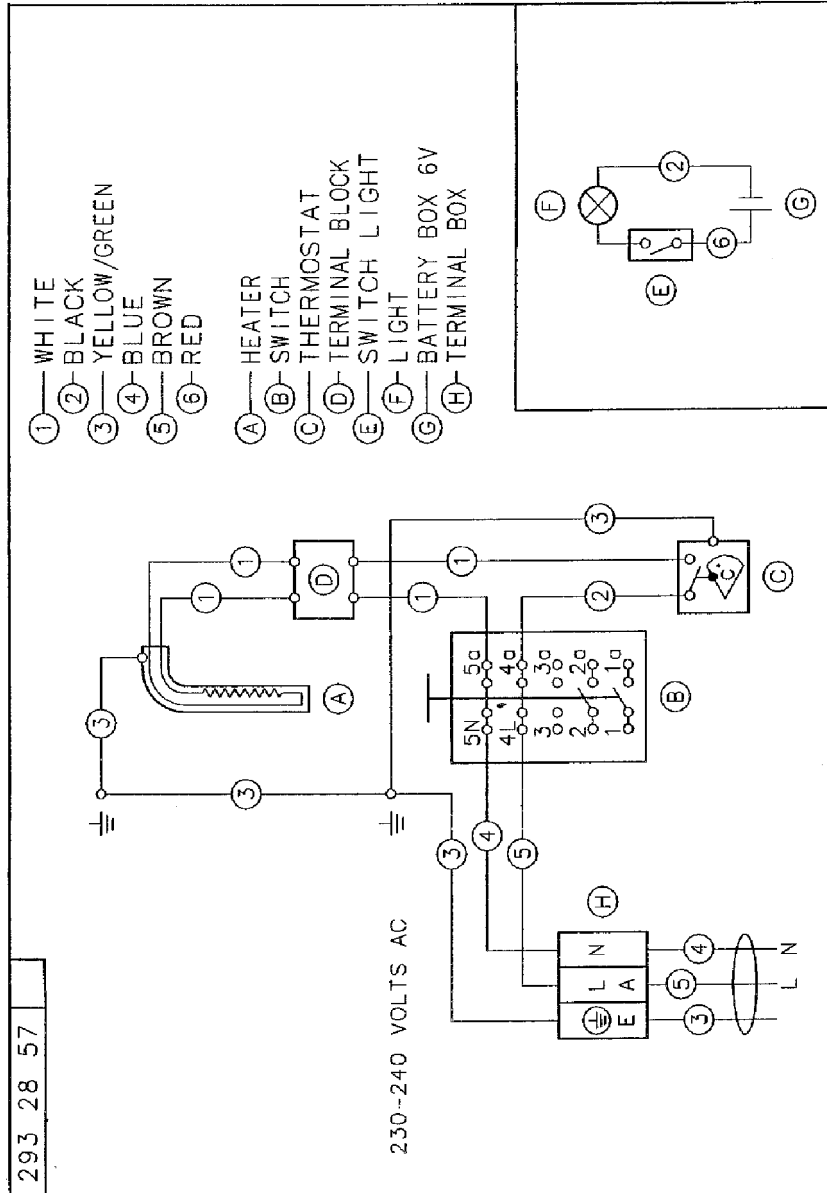
SPARE PARTS LIST

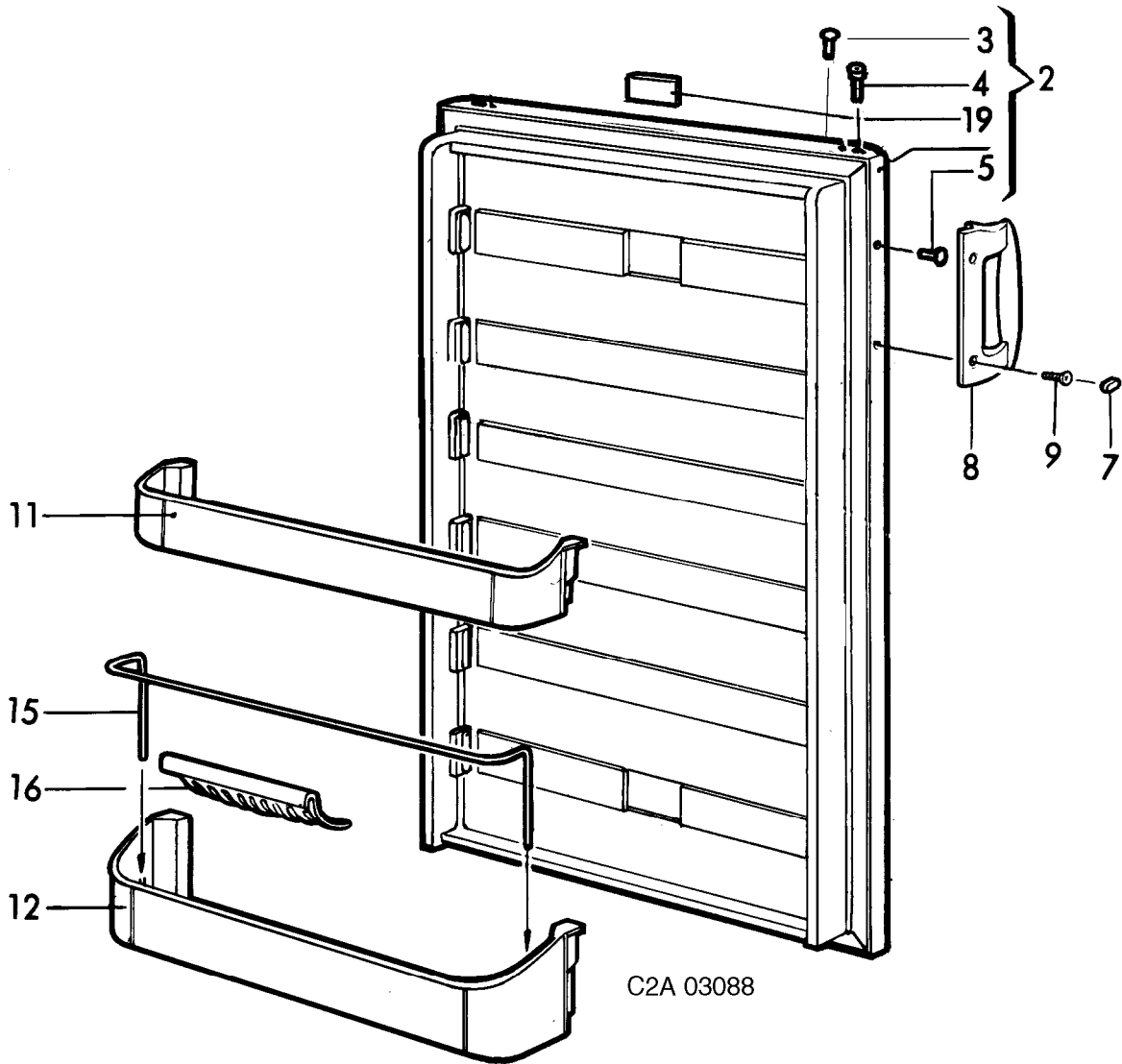
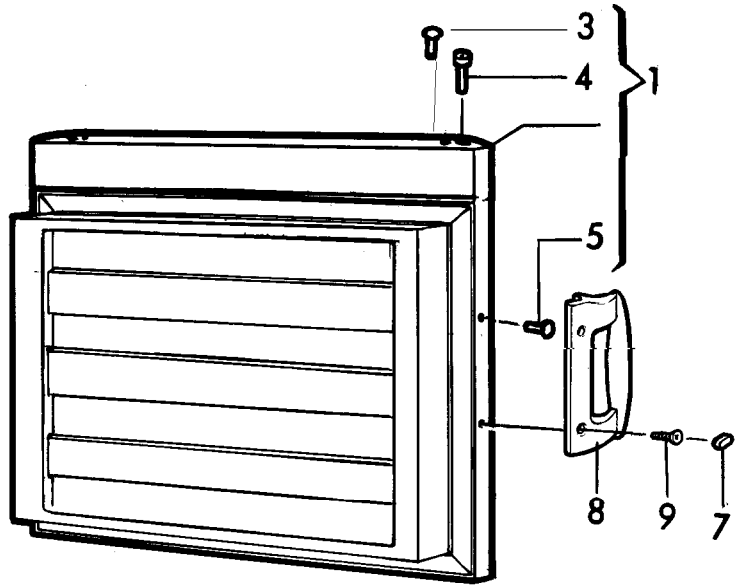
Fridge (absorption)

Product Nr 921 17 20-13
Model S210GE
Brand SIBIR
Factory MO
Market EU,DE

	S210GE	
--	---------------	--

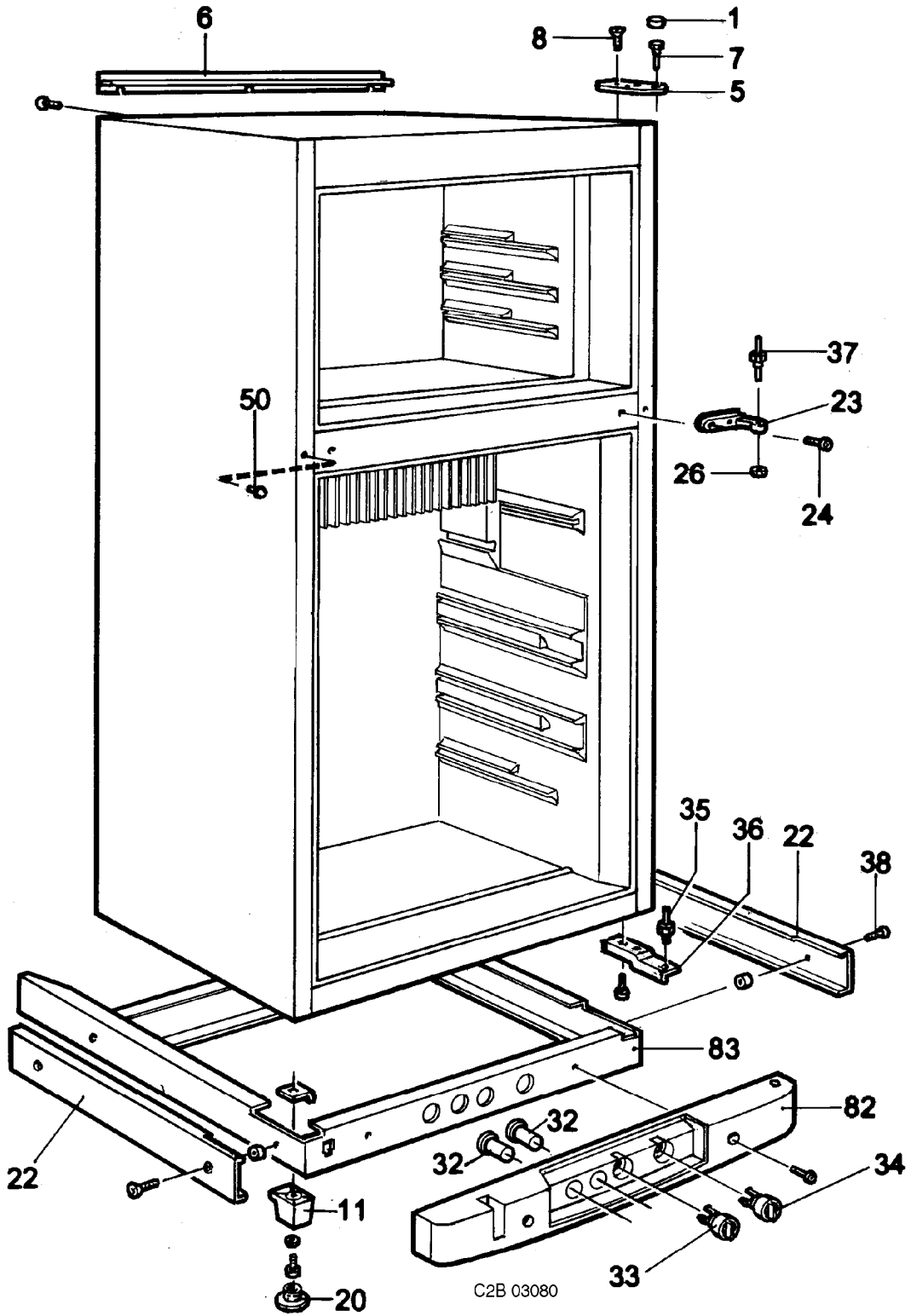
(c)DISTRIPARTS AB S-562 80 NORRAHAMMAR TEL 036-31 81 00 Order 036-14 71 50 Telefax 036-14 71 70	Publication Nr 599 25 90-18/1 980326
---	---



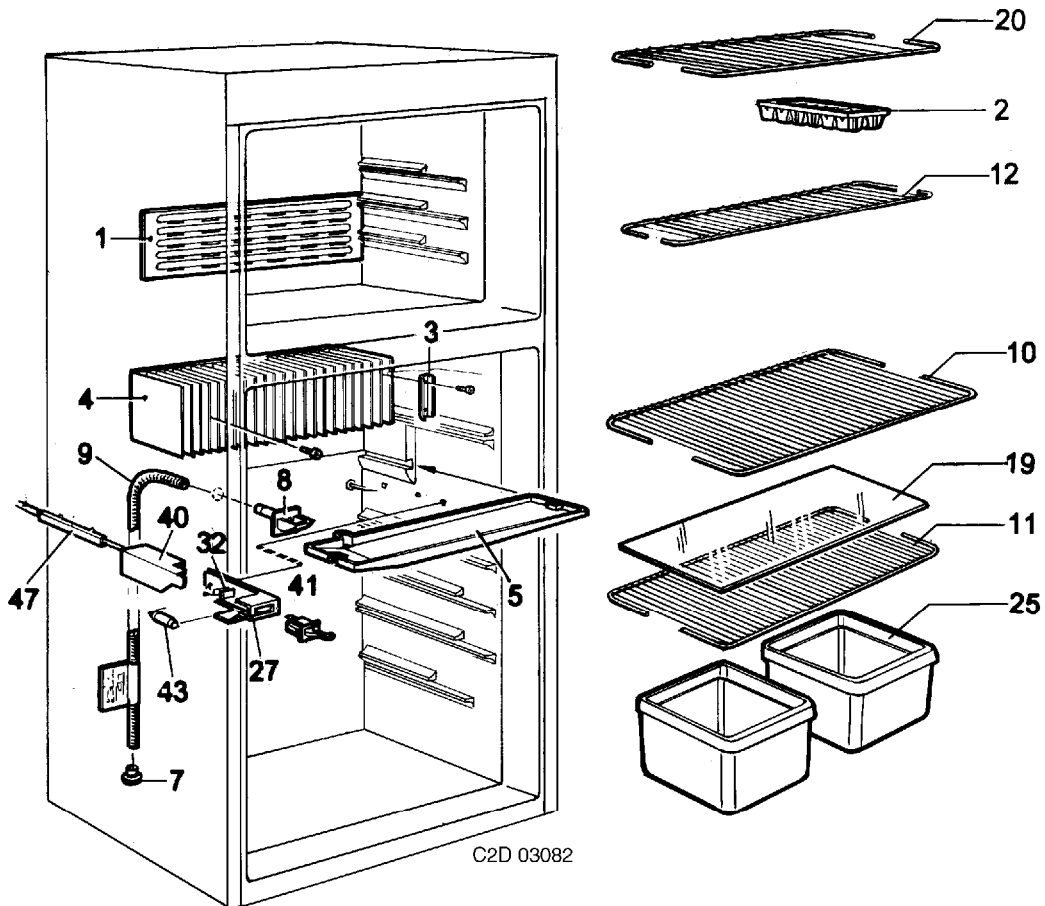


C2A 03088

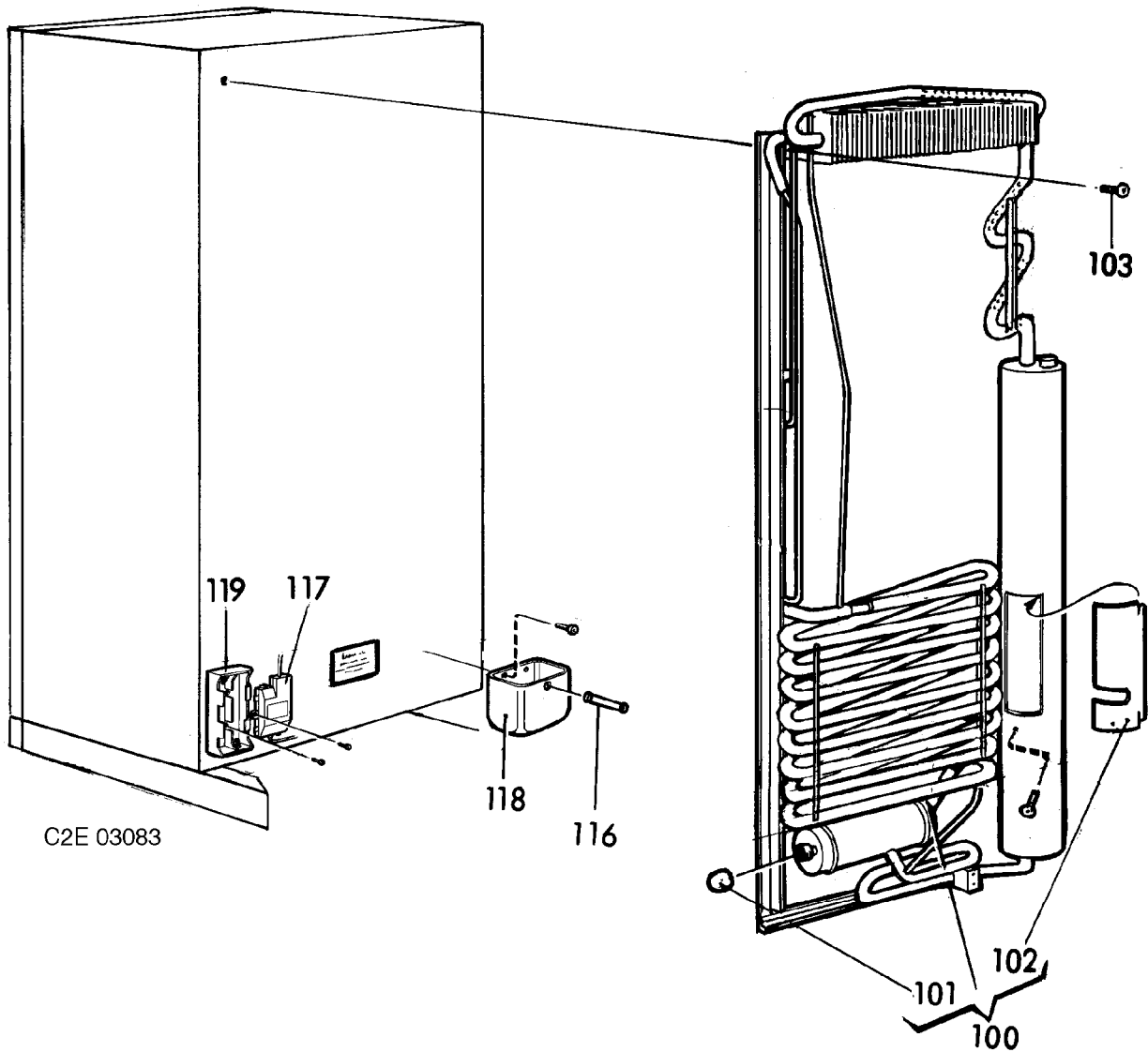
Pos.	Part number	Part description
1	293 28 03-03/0	Door freezer,white,assy
2	293 28 05-08/4	Door refrigerator,white,assy
3	205 96 19-03/7	Plug,grey
4	205 93 42-03/6	Hinge bushing,grey
5	205 74 93-03/9	Plug,grey
7	223 00 30-06/2	Plug,grey
8	205 82 83-12/4	Handle,grey
9	205 82 88-01/6	Screw
11	293 25 76-03/2	Shelf door-,grey
12	293 25 75-03/4	Shelf door-,grey
15	293 25 85-01/7	Rack
16	293 26 58-02/0	Holder bottle-,grey
19	293 28 09-00/3	Plate name-,SIBIR



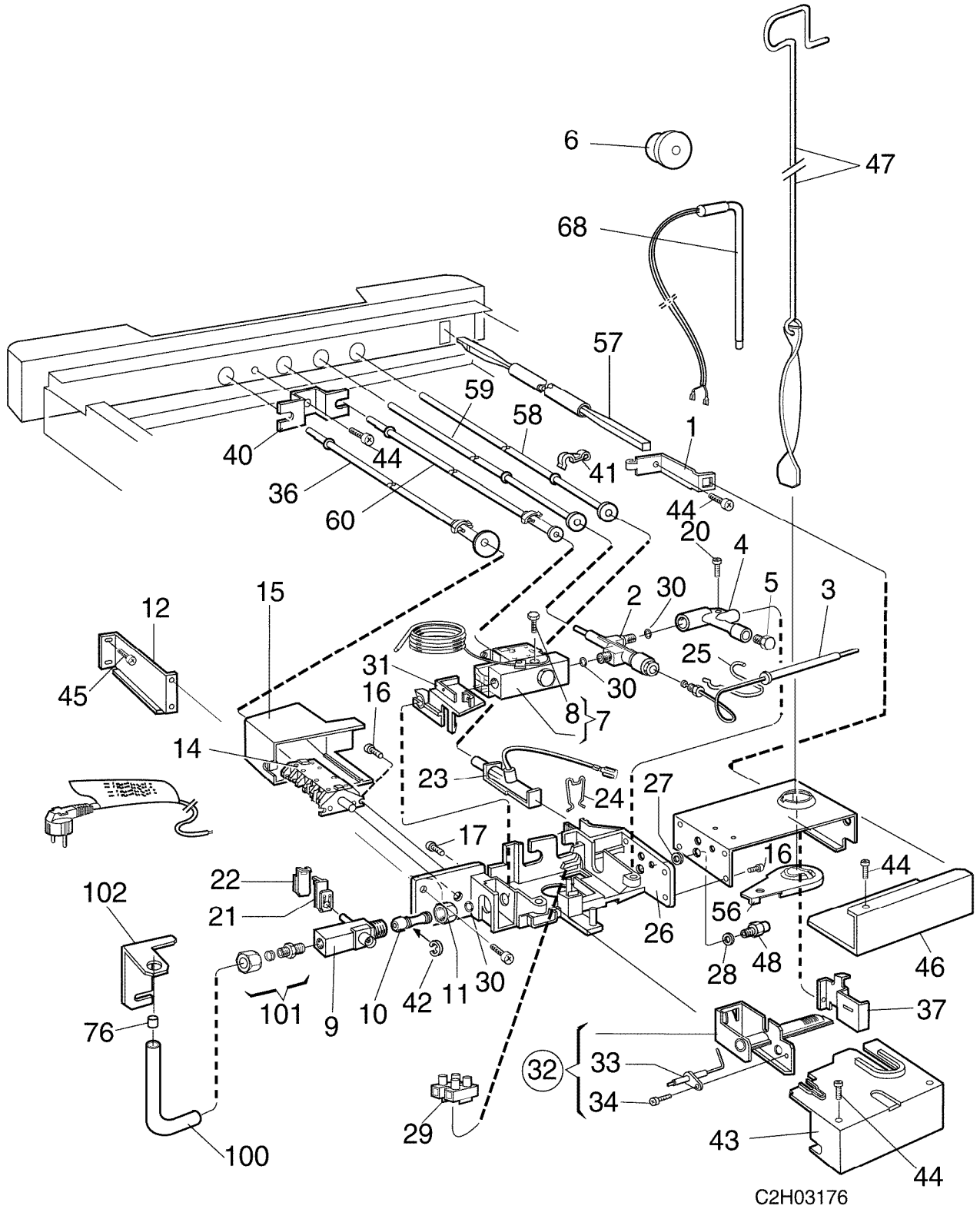
Pos.	Part number	Part description
1	293 27 36-06/5	Plug,white
5	293 27 87-05/0	Hinge,white,upper,right
6	293 28 01-05/9	Protection bar,white
7	293 27 90-01/3	Hinge pin,upper
8	724 33 27-61/1	Screw,MFX,M5x12,zincplated
11	200 40 03-00/6	Foot
20	200 25 99-00/5	Screw
22	293 27 95-05/3	Plate cover-,white
23	293 27 88-05/8	Hinge,middle
24	724 13 31-01/1	Screw,MRX,M5x20,zincplated
26	294 07 15-01/0	Nut,white
32	200 74 79-08/8	Push button,gre
33	200 74 80-33/4	Knob thermostat,gre,assy
34	200 74 80-36/7	Knob,gre,assy
35	293 27 92-01/9	Hinge pin,lower
36	293 27 89-02/3	Hinge,lower,right
37	293 27 91-01/1	Hinge pin,middle
38	729 64 15-01/6	Screw,fxs,B10x22,zincplated
50	293 23 73-01/8	Plug,white
82	293 27 82-07/7	Base front,gre
83	293 28 36-01/4	Base



Pos.	Part number	Part description
1	293 27 28-01/3	Coverplate
2	293 04 00-00/3	Ice tray
3	289 00 50-00/4	Clamp
4	293 26 30-02/9	Cooling flange
5	293 26 24-01/4	Drip protection
7	293 21 15-01/3	Plug
8	293 26 35-01/0	Drain
9	293 27 49-05/0	Hose
10	293 26 25-01/1	Shelf,d273,zincplated
11	293 26 25-03/7	Shelf,d236,zincplated
12	293 26 25-07/8	Shelf
19	293 11 17-08/5	Shelf,plastic
20	293 26 27-01/7	Shelf,freezer
25	293 26 21-04/4	Box vegetable-
27	293 25 23-01/8	Lamp socket
32	293 21 08-01/8	Contact pin
40	293 21 06-01/2	Lamp cover
41	293 26 65-01/7	Switch
43	200 72 90-02/2	Lamp,6V
47	200 40 56-04/6	Cover



Pos.	Part number	Part description
100	293 48 07-09/6	Cooling unit,807,assy
101	17 32 28-00/8	Cap
102	293 35 57-00/7	Cover
103	729 52 79-01/7	Screw,RXS,B6x10,zincplated
116	293 18 29-01/0	Outlet tube
117	293 22 30-01/0	Cover
118	293 18 28-01/2	Tray
119	293 28 49-01/7	Battery retainer
120	822 70 56-00/2	Instructions for use



S210GE

Pos.	Part number	Part description
1	200 76 48-00/5	Retainer
2	293 16 57-01/5	Valve safety-
3	293 14 96-04/2	Couple thermo
4	200 75 18-00/0	Coupling
5	16 93 80-00/3	Screw
6	200 23 01-00/6	Plug
7	200 71 99-00/9	Thermostat
8	17 28 19-03/9	By-pass screw,s14
9	200 74 30-02/4	Cock gas-
10	200 74 29-00/0	Nipple
11	17 28 09-00/6	Nut
12	293 27 96-02/8	Bracket
14	200 74 32-00/4	Switch
15	200 74 39-00/9	Cover
16	14 07 30-01/1	Screw,RXK,B6x9,5,zincplated
17	724 12 87-61/9	Screw,m4x8,zincplated
20	729 52 85-40/2	Screw,RXS-B6x19,inox
21	200 75 77-01/4	Spring
22	200 75 78-00/4	Spring
23	200 74 23-00/3	Lighter piezo-
24	200 74 24-00/1	Retainer
25	200 74 25-00/8	Spring
26	200 74 10-00/0	Retainer
27	734 49 15-10/8	Washer
28	200 74 57-00/1	Washer
29	762 72 02-56/2	Terminal block
30	14 07 48-00/5	Sealing ring
31	200 74 28-00/2	Snapper
32	200 75 03-04/4	Burner
33	293 03 79-00/9	Electrode
34	729 52 21-01/9	Screw,RXS,B4x6,5,zincplated
36	200 74 75-04/5	Shaft
37	200 76 51-01/7	Guiding device
40	200 75 67-00/7	Support plate
41	200 51 12-00/4	Clamp
42	735 31 13-21/5	E-ring,zincplated
43	200 74 40-00/7	Cover
44	729 52 79-01/7	Screw,RXS,B6x10,zincplated
45	724 12 89-61/5	Screw,MRX,M4x10,zincplated
46	200 75 05-00/7	Cover
47	293 26 67-04/7	Baffle
48	200 74 19-16/7	Jet,nr 43
56	200 74 58-01/7	Washer Interlocking-
57	293 27 97-01/8	Light conductor
58	200 74 68-11/5	Switch bar
59	200 74 68-09/9	Switch bar
60	200 74 71-04/4	Shaft
68	17 37 42-24/8	Immersion heater,325w,230V
76	293 12 40-01/0	Filter
100	293 20 67-01/6	Tube gas-
101	293 28 48-01/9	Nipple
102	293 28 54-01/7	Retainer