



## SPARE PARTS LIST

Absorption refrigerators

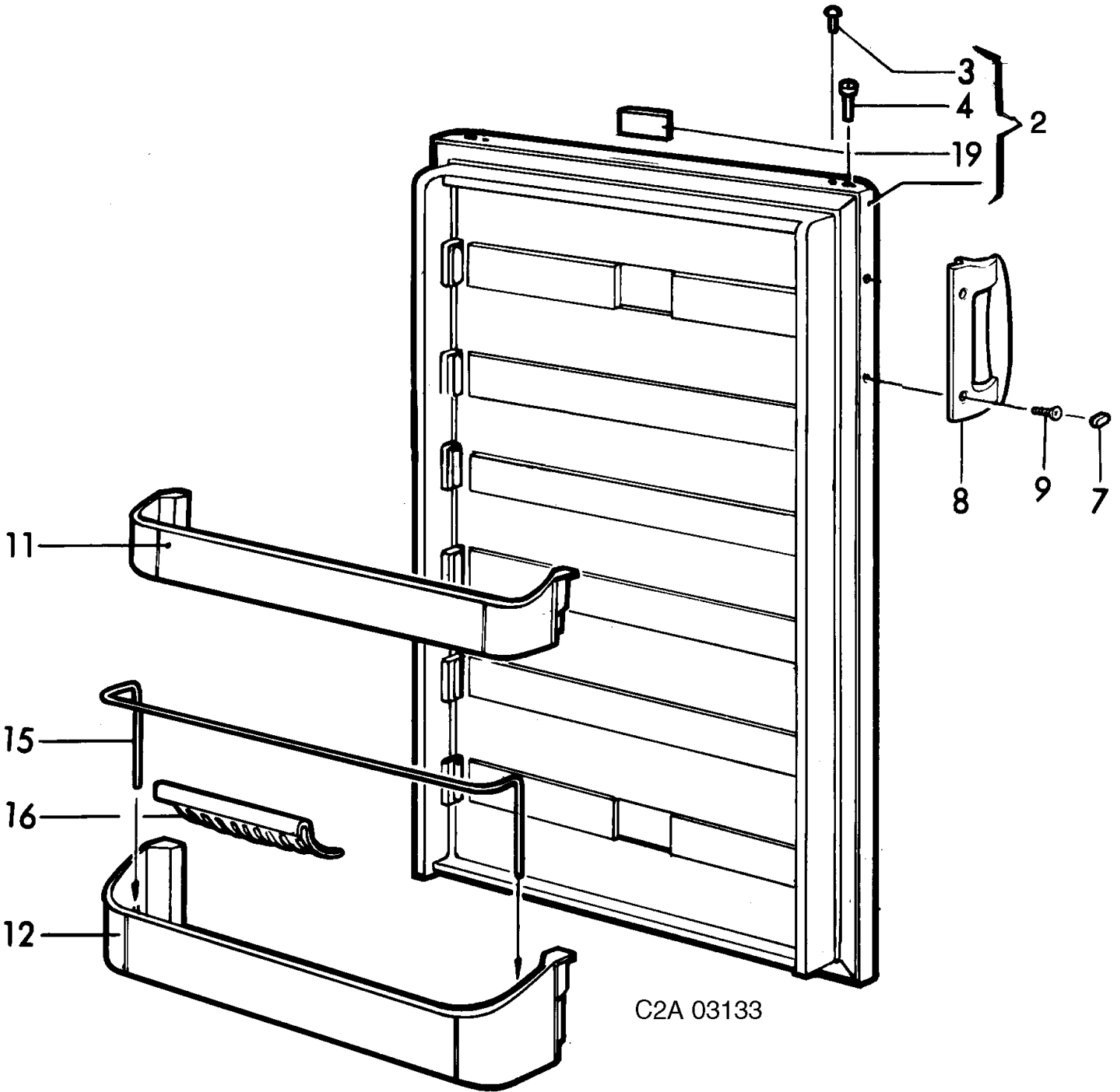
3140

| PNC         | Brand      | Model  | Market |
|-------------|------------|--------|--------|
| A 921170008 | Electrolux | S150GE |        |

AEG Hausgeräte GmbH  
Muggenhofer Straße 135  
D-90429 Nürnberg  
Germany  
Fax +49 (0)911 323 1022

Publ.No.  
**599259126**  
**1999/10/8**  
MO

Large  
freestanding  
refrigerators

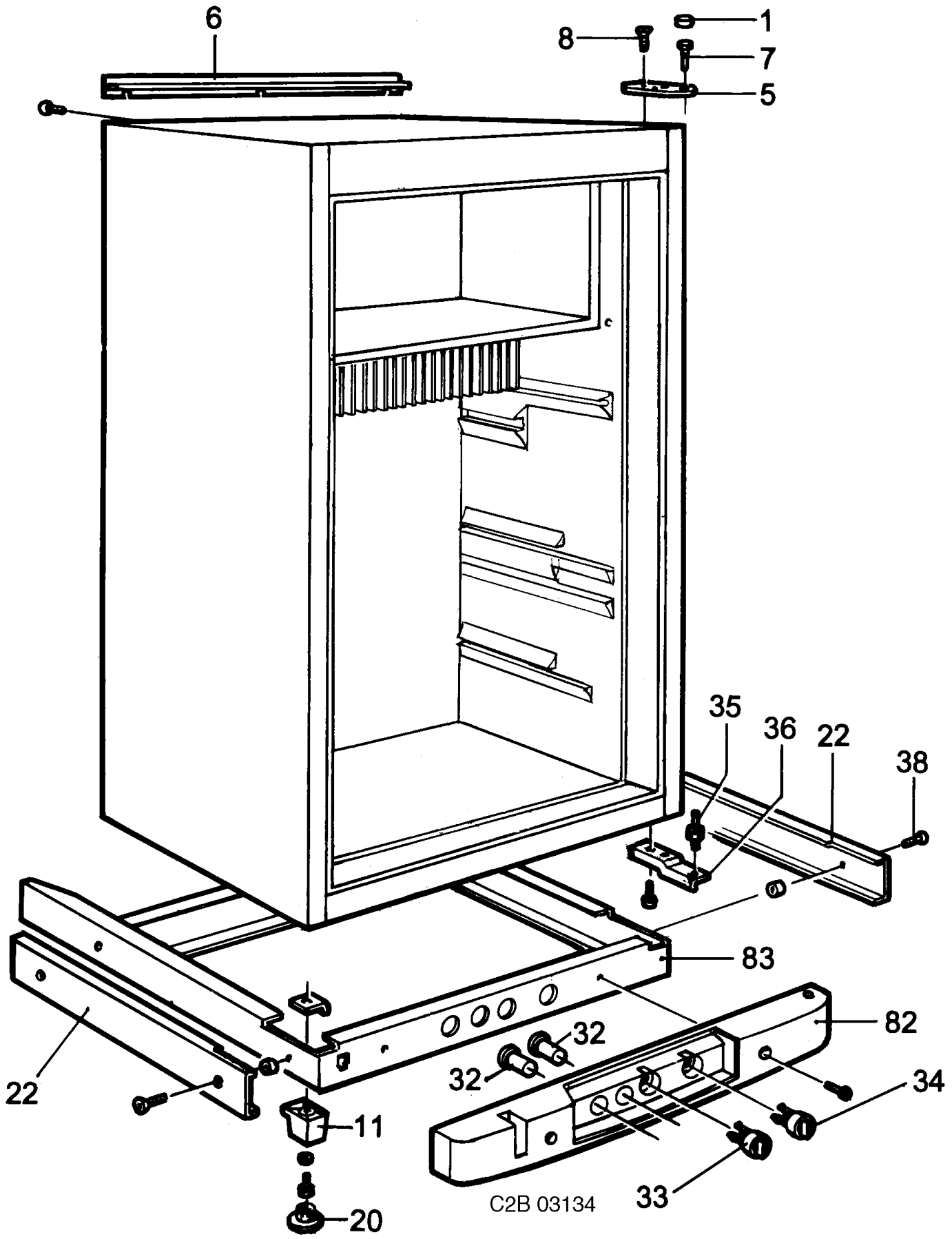


C2A 03133

---

|          |                         |                        |
|----------|-------------------------|------------------------|
| <b>A</b> | <b>PNC</b><br>921170008 | <b>Model</b><br>S150GE |
|----------|-------------------------|------------------------|

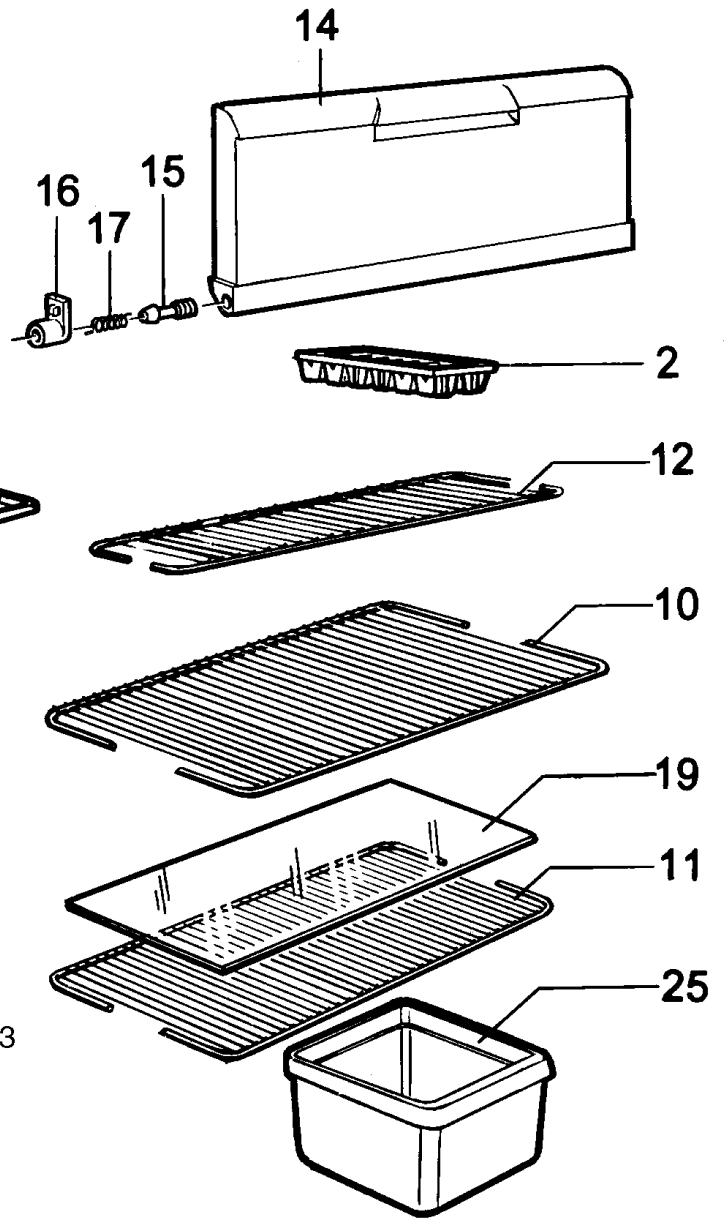
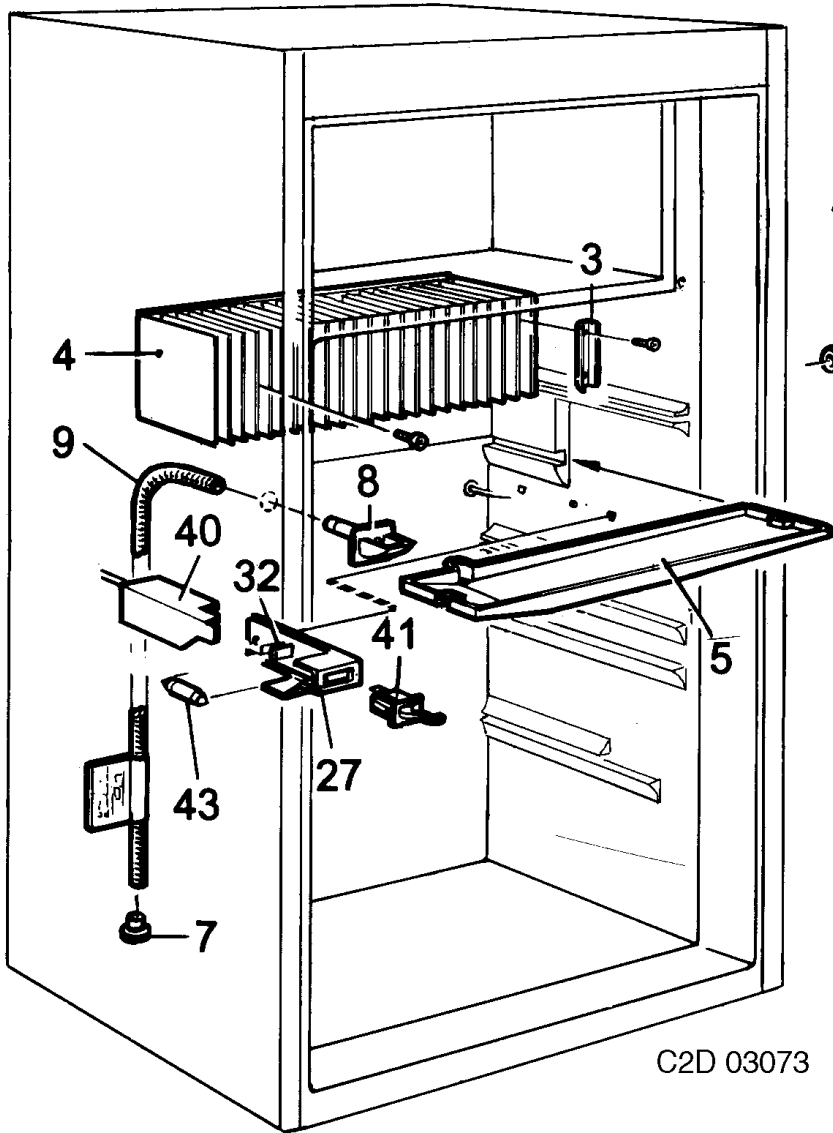
| <b>Pos</b> | <b>Part No.</b> |   | <b>Description</b>   |
|------------|-----------------|---|----------------------|
| 2          | 2932 80 604 / 1 | A | Door refrigerator,wh |
| 3          | 2059 61 903 / 7 | A | Plug,grey            |
| 4          | 2059 34 203 / 6 | A | Hinge bushing,grey   |
| 7          | 2230 03 006 / 2 | A | Plug,grey            |
| 8          | 2058 28 312 / 4 | A | Handle,grey          |
| 9          | 2058 28 801 / 6 | A | Screw,zinc-plated,M4 |
| 11         | 2932 57 603 / 2 | A | Shelf door-,grey     |
| 12         | 2932 57 503 / 4 | A | Shelf door-,grey     |
| 15         | 2932 58 501 / 7 | A | Rack                 |
| 16         | 2932 65 802 / 0 | A | Holder bottle-,grey  |
| 19         | 2932 80 900 / 3 | A | Name plate,SIBIR     |



---

|             |              |
|-------------|--------------|
| <b>PNC</b>  | <b>Model</b> |
| A 921170008 | S150GE       |

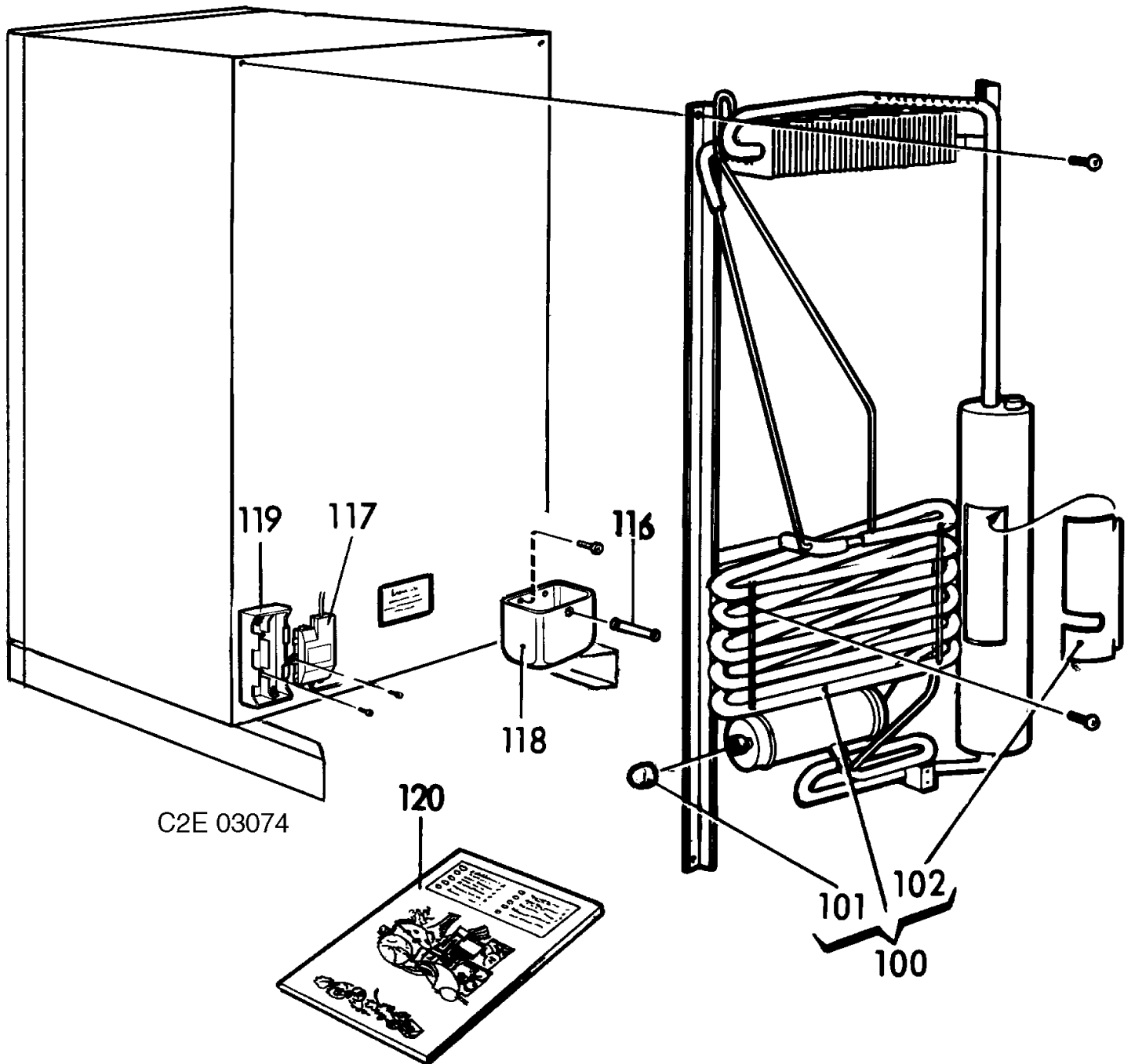
| <b>Pos</b> | <b>Part No.</b> |   | <b>Description</b>            |
|------------|-----------------|---|-------------------------------|
| 1          | 2932 73 606 / 5 | A | Cover                         |
| 5          | 2932 78 705 / 0 | A | Hinge,upper                   |
| 6          | 2932 80 105 / 9 | A | Cover                         |
| 7          | 2932 79 001 / 3 | A | Hinge pin,upper               |
| 8          | 7243 32 761 / 1 | A | Screw,zinc-plated,MFX M5x12   |
| 11         | 2004 00 300 / 6 | A | Foot,RA34                     |
| 20         | 2002 59 900 / 5 | A | Foot,adjustable               |
| 22         | 2932 79 505 / 3 | A | Cover                         |
| 32         | 2007 47 908 / 8 | A | Button,pressure,grey          |
| 33         | 2007 48 033 / 4 | A | Thermostat knob,complete,grey |
| 34         | 2007 48 036 / 7 | A | Knob,complete,grey            |
| 35         | 2932 79 201 / 9 | A | Hinge pin,lower               |
| 36         | 2932 78 902 / 3 | A | Hinge,lower,right             |
| 38         | 7296 41 501 / 6 | A | Screw,zinc-plated,FXS B10X22  |
| 82         | 2932 78 207 / 7 | A | Operating panel,lower         |
| 83         | 2932 83 601 / 4 | A | Base                          |



C2D 03073

|          |                         |                        |
|----------|-------------------------|------------------------|
| <b>A</b> | <b>PNC</b><br>921170008 | <b>Model</b><br>S150GE |
|----------|-------------------------|------------------------|

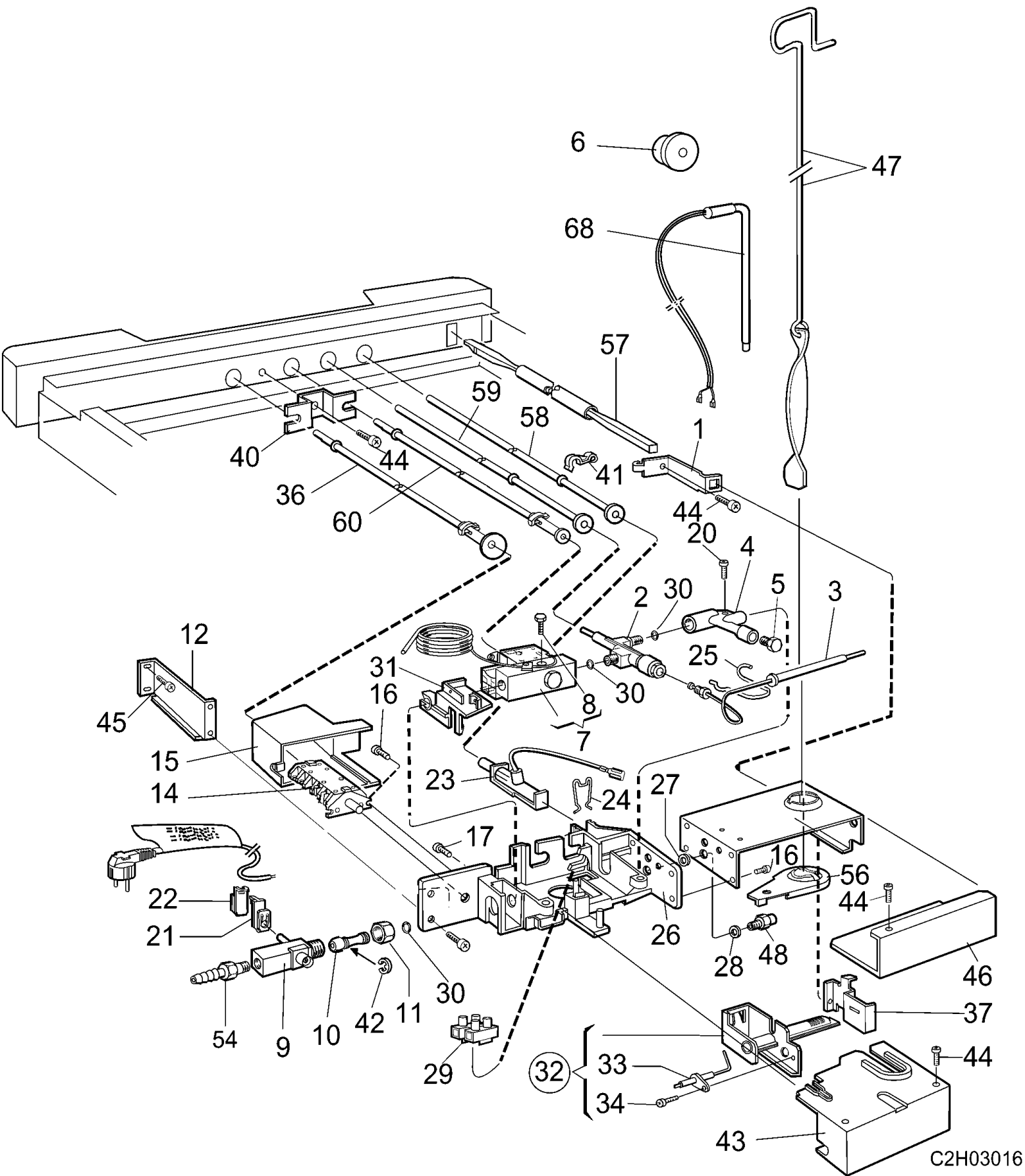
| <b>Pos</b> | <b>Part No.</b> |   | <b>Description</b>              |
|------------|-----------------|---|---------------------------------|
| 2          | 2930 40 000 / 3 | A | Ice tray                        |
| 3          | 2890 05 000 / 4 | A | Terminal                        |
| 4          | 2932 62 901 / 3 | A | Evaporator.                     |
| 5          | 2932 62 301 / 6 | A | Evaporation tray                |
| 7          | 2932 11 501 / 3 | A | Discharge pipe,Plug             |
| 8          | 2932 63 501 / 0 | A | Drain                           |
| 9          | 2932 74 904 / 3 | A | Discharge hose,l=500            |
| 10         | 2932 62 501 / 1 | A | Grating shelf,zinc-plated,d=273 |
| 11         | 2932 62 503 / 7 | A | Grating shelf,zinc-plated,d236  |
| 12         | 2932 62 505 / 2 | A | Shelf,d162,zincplate            |
| 14         | 2932 65 001 / 9 | A | Flap freezer-                   |
| 15         | 2002 23 800 / 0 | A | Bolt                            |
| 16         | 2002 23 600 / 4 | A | Spring casing,left              |
|            | 2002 23 601 / 2 | A | Spring casing,right             |
| 17         | 2932 75 401 / 9 | A | Spring,left                     |
|            | 2932 75 402 / 7 | A | Spring,right                    |
| 19         | 2931 11 708 / 5 | A | Shelf                           |
| 25         | 2932 62 104 / 4 | A | Box vegetable-                  |
| 27         | 2932 52 301 / 8 | A | Lampholder                      |
| 32         | 2932 10 801 / 8 | A | Kontakt pin                     |
| 40         | 2932 10 601 / 2 | A | Lamp cover                      |
| 41         | 2932 66 501 / 7 | A | Switch                          |
| 43         | 2007 29 002 / 2 | A | Lamp,6v                         |



---

|          |                         |                        |
|----------|-------------------------|------------------------|
| <b>A</b> | <b>PNC</b><br>921170008 | <b>Model</b><br>S150GE |
|----------|-------------------------|------------------------|

| <b>Pos</b> | <b>Part No.</b> |   | <b>Description</b>   |
|------------|-----------------|---|----------------------|
| 100        | 2934 50 709 / 2 | A | Cooling unit         |
| 101        | 173 22 800 / 8  | A | Cap                  |
| 102        | 2933 55 700 / 7 | A | Cover sheet          |
| 116        | 2931 82 901 / 0 | A | Outlet tube          |
| 117        | 2932 23 001 / 0 | A | Cover                |
| 118        | 2931 82 801 / 2 | A | Drip tray            |
| 119        | 2932 84 901 / 7 | A | Housing              |
| 120        | 8227 05 600 / 2 | A | Instructions for use |



C2H03016

|             |              |
|-------------|--------------|
| <b>PNC</b>  | <b>Model</b> |
| A 921170008 | S150GE       |

| Pos | Part No.        |   | Description                 |
|-----|-----------------|---|-----------------------------|
| 1   | 2007 64 800 / 5 | A | Holder,light conductor      |
| 2   | 2931 65 701 / 5 | A | Safety valve                |
| 3   | 2931 49 604 / 2 | A | Thermo element              |
| 4   | 2007 51 800 / 0 | A | Coupling                    |
| 5   | 169 38 000 / 3  | A | Screw,Plug                  |
| 6   | 2002 30 100 / 6 | A | Plug                        |
| 7   | 2007 19 904 / 1 | A | Thermostat                  |
| 8   | 172 81 902 / 1  | A | By-pass screw               |
| 9   | 2007 43 002 / 4 | A | Gas cock                    |
| 10  | 2007 42 900 / 0 | A | Nipple                      |
| 11  | 172 80 900 / 6  | A | Nut                         |
| 12  | 2932 79 601 / 0 | A | Plate                       |
| 14  | 2007 43 200 / 4 | A | Switch                      |
| 15  | 2007 43 900 / 9 | A | Cap                         |
| 16  | 140 73 001 / 1  | A | Screw,rxk,b6x9,5,zincified  |
| 17  | 7241 28 761 / 9 | A | Screw,zinc-plated,M4X8      |
| 20  | 7295 28 540 / 2 | A | Screw,rxs,b6x19,stainless   |
| 21  | 2007 57 701 / 4 | A | Spring                      |
| 22  | 2007 57 800 / 4 | A | Spring                      |
| 23  | 2007 42 300 / 3 | A | Piezo lighter               |
| 24  | 2007 42 400 / 1 | A | Retaining spring            |
| 25  | 2007 42 500 / 8 | A | Retaining spring            |
| 26  | 2007 41 000 / 0 | A | Holder                      |
| 27  | 7344 91 510 / 8 | A | Tray                        |
| 28  | 2007 45 700 / 1 | A | Washer,0,5mm                |
| 29  | 7627 20 256 / 2 | A | Junction block              |
| 30  | 140 74 800 / 5  | A | Sealing ring,o-ring,T2527-1 |
| 31  | 2007 42 800 / 2 | A | Snapper                     |
| 32  | 2007 50 303 / 6 | A | Burner,complete             |
| 33  | 2930 37 900 / 9 | A | Electrode                   |
| 34  | 7295 22 101 / 9 | A | Screw,RXS,B4x6,5            |
| 36  | 2007 47 504 / 5 | A | Axle,complete               |
| 37  | 2007 65 101 / 7 | A | Guidance,Burner             |
| 40  | 2007 56 700 / 7 | A | Support,axle                |
| 41  | 2005 11 200 / 4 | A | Clip                        |
| 42  | 7353 11 321 / 5 | A | E-ring,zinc-plated,8        |
| 43  | 2007 44 000 / 7 | A | Cap                         |
| 44  | 7295 27 901 / 7 | A | Screw,zinc-plated,RXS,B6X10 |
| 45  | 7241 28 961 / 5 | A | Screw,zinc-plated,MRX,M4X10 |
| 46  | 2007 50 500 / 7 | A | Cover                       |
| 47  | 2932 66 702 / 1 | A | Flue baffle                 |
| 48  | 2007 41 916 / 7 | A | Jet,43                      |
| 54  | 2932 29 301 / 8 | A | Nipple                      |
| 56  | 2007 45 801 / 7 | A | Interlocking washer         |

|    |                 |   |                  |
|----|-----------------|---|------------------|
| 57 | 2932 79 701 / 8 | A | Light conductor  |
| 58 | 2007 46 810 / 7 | A | Extension shaft  |
| 59 | 2007 46 808 / 1 | A | Extension shaft  |
| 60 | 2007 47 104 / 4 | A | Shaft,complete   |
| 68 | 173 73 826 / 1  | A | Immersion heater |

- ① — WHITE
  - ② — BLACK
  - ③ — YELLOW/GREEN
  - ④ — BLUE
  - ⑤ — BROWN
  - ⑥ — RED
- Ⓐ — HEATER
  - Ⓑ — SWITCH
  - Ⓒ — THERMOSTAT
  - Ⓓ — TERMINAL BLOCK
  - Ⓔ — SWITCH LIGHT
  - Ⓕ — LIGHT
  - Ⓖ — BATTERY BOX 6V
  - Ⓗ — TERMINAL BOX

