



SPARE PARTS LIST

Absorption refrigerators

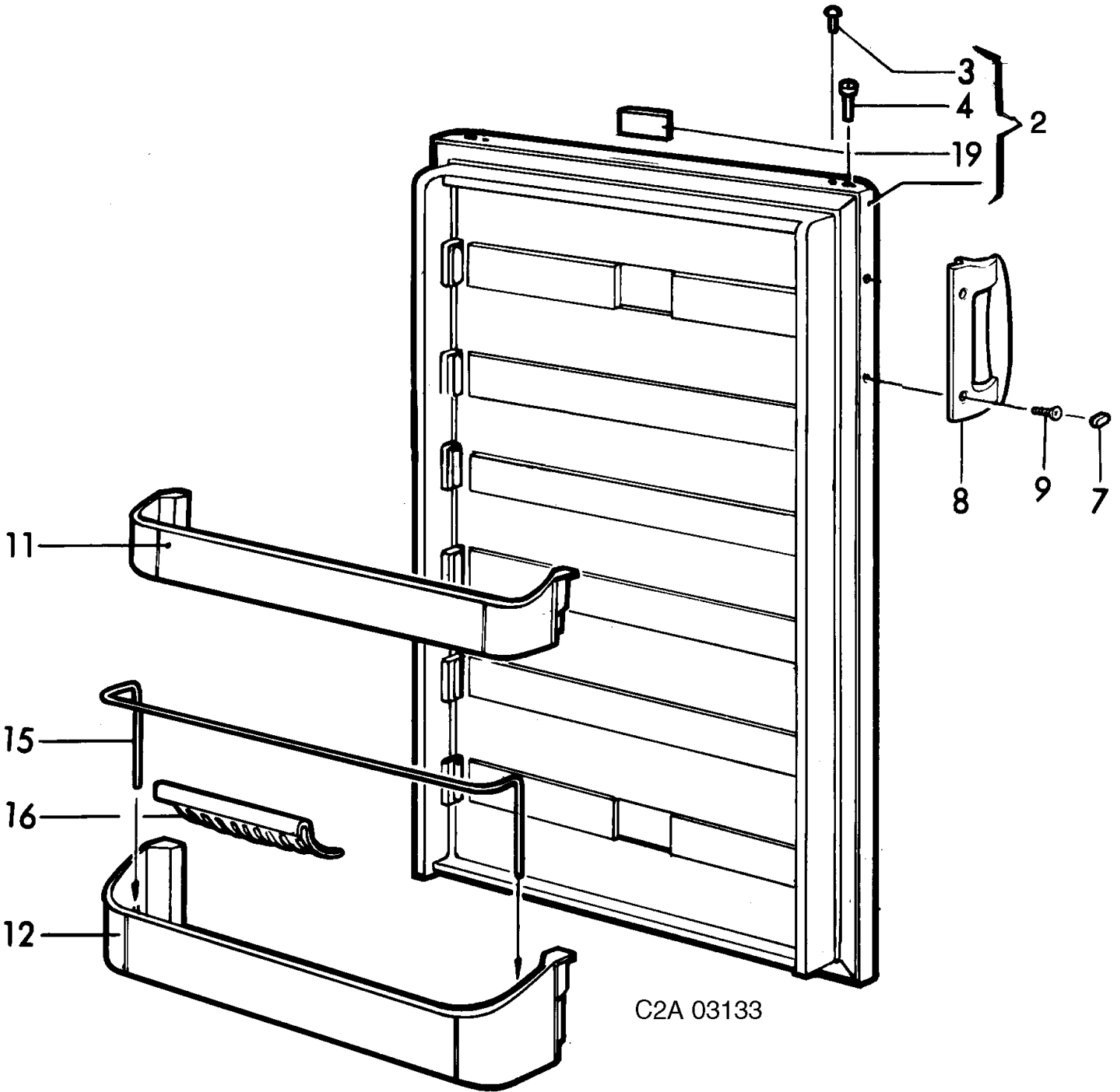
3140

PNC	Brand	Model	Market
A 921170009	Electrolux	S150GE	

AEG Hausgeräte GmbH
Muggenhofer Straße 135
D-90429 Nürnberg
Germany
Fax +49 (0)911 323 1022

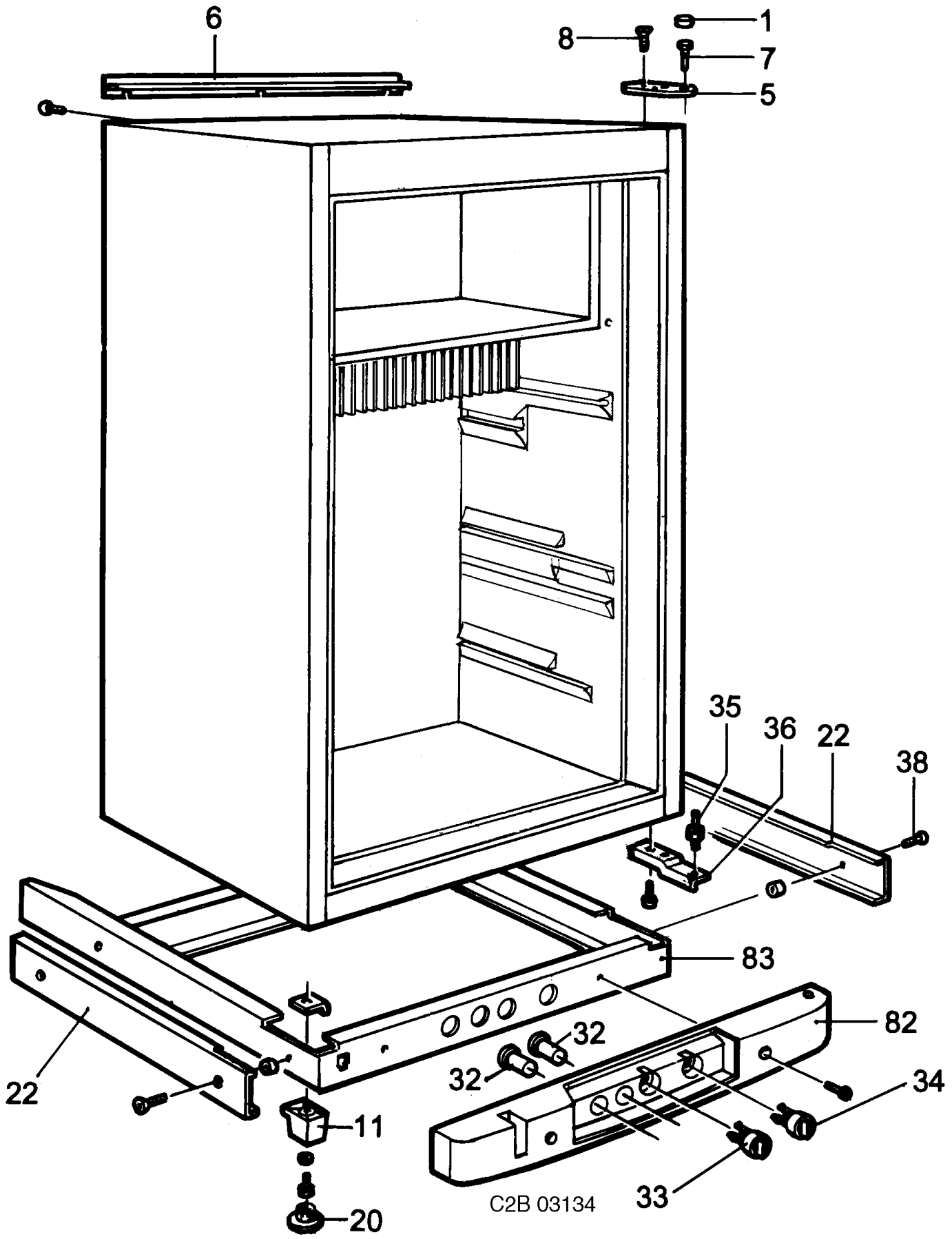
Publ.No.
599260295
1999/10/8
MO

Large
freestanding
refrigerators



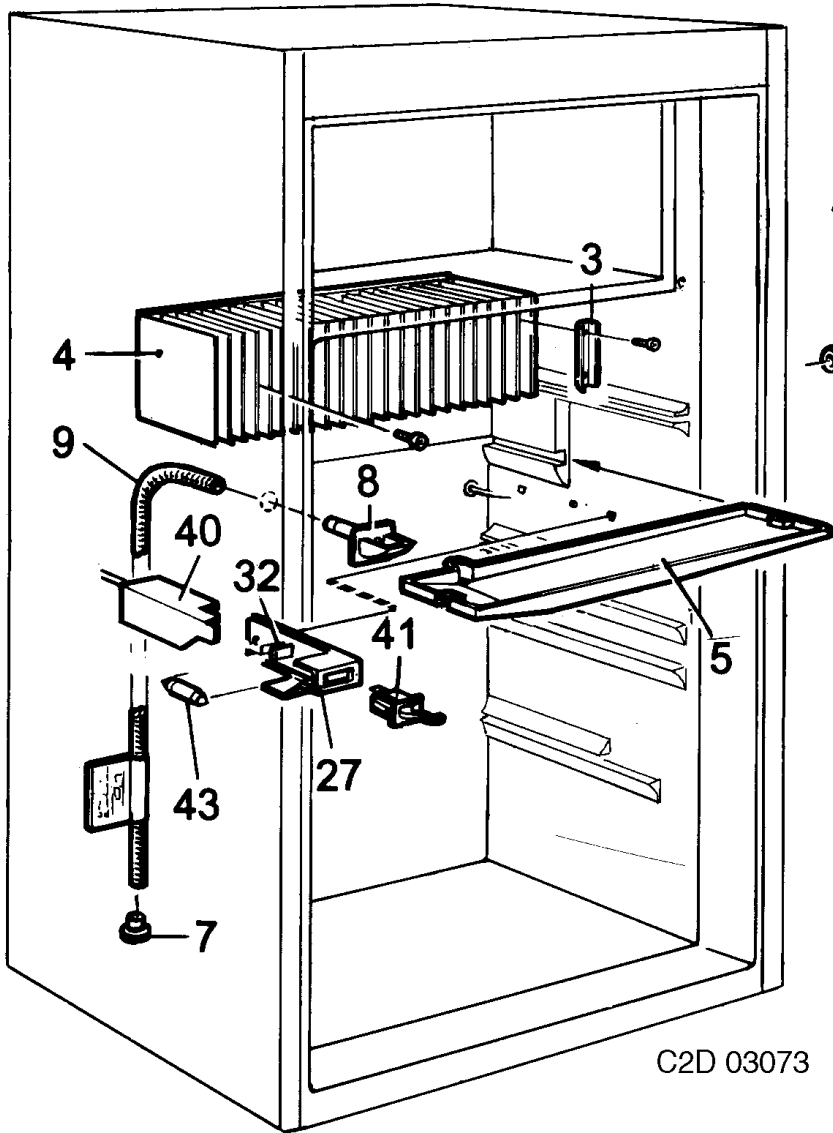
A	PNC 921170009	Model S150GE
----------	-------------------------	------------------------

Pos	Part No.		Description
2	2932 80 604 / 1	A	Door refrigerator,wh
3	2059 61 903 / 7	A	Plug,grey
4	2059 34 203 / 6	A	Hinge bushing,grey
7	2230 03 006 / 2	A	Plug,grey
8	2058 28 312 / 4	A	Handle,grey
9	2058 28 801 / 6	A	Screw,zinc-plated,M4
11	2932 57 603 / 2	A	Shelf door-,grey
12	2932 57 503 / 4	A	Shelf door-,grey
15	2932 58 501 / 7	A	Rack
16	2932 65 802 / 0	A	Holder bottle-,grey
19	2932 80 900 / 3	A	Name plate,SIBIR



PNC	Model
A 921170009	S150GE

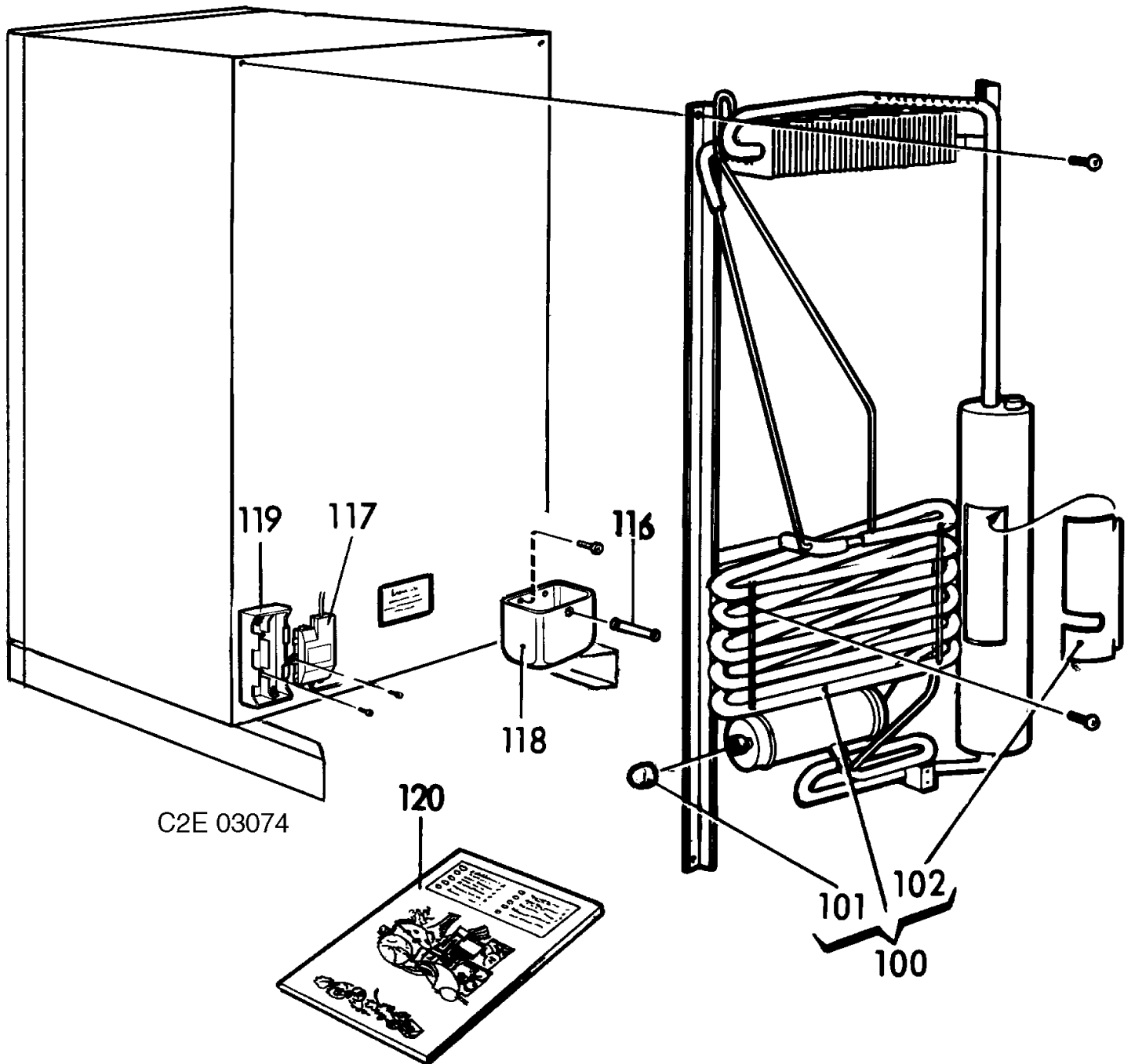
Pos	Part No.		Description
1	2932 73 606 / 5	A	Cover
5	2932 78 705 / 0	A	Hinge,upper
6	2932 80 105 / 9	A	Cover
7	2932 79 001 / 3	A	Hinge pin,upper
8	7243 32 761 / 1	A	Screw,zinc-plated,MFX M5x12
11	2004 00 300 / 6	A	Foot,RA34
20	2002 59 900 / 5	A	Foot,adjustable
22	2932 79 505 / 3	A	Cover
32	2007 47 908 / 8	A	Button,pressure,grey
33	2007 48 033 / 4	A	Thermostat knob,complete,grey
34	2007 48 036 / 7	A	Knob,complete,grey
35	2932 79 201 / 9	A	Hinge pin,lower
36	2932 78 902 / 3	A	Hinge,lower,right
38	7296 41 501 / 6	A	Screw,zinc-plated,FXS B10X22
82	2932 78 207 / 7	A	Operating panel,lower
83	2932 83 601 / 4	A	Base



C2D 03073

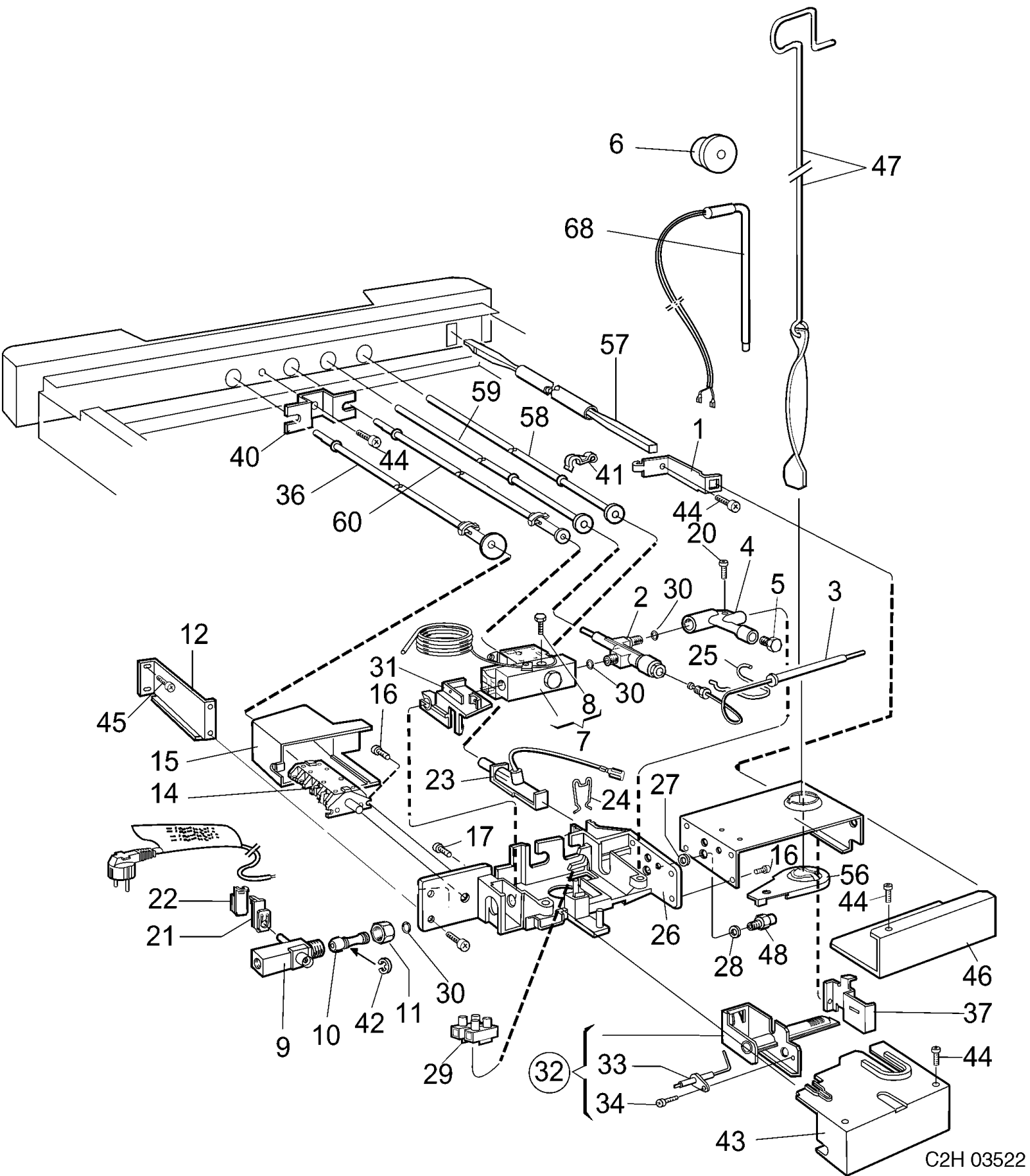
A	PNC 921170009	Model S150GE
----------	-------------------------	------------------------

Pos	Part No.		Description
2	2930 40 000 / 3	A	Ice tray
3	2890 05 000 / 4	A	Terminal
4	2932 62 901 / 3	A	Evaporator.
5	2932 62 301 / 6	A	Evaporation tray
7	2932 11 501 / 3	A	Discharge pipe,Plug
8	2932 63 501 / 0	A	Drain
9	2932 74 904 / 3	A	Discharge hose,l=500
10	2932 62 501 / 1	A	Grating shelf,zinc-plated,d=273
11	2932 62 503 / 7	A	Grating shelf,zinc-plated,d236
12	2932 62 505 / 2	A	Shelf,d162,zincplate
14	2932 65 001 / 9	A	Flap freezer-
15	2002 23 800 / 0	A	Bolt
16	2002 23 600 / 4	A	Spring casing,left
	2002 23 601 / 2	A	Spring casing,right
17	2932 75 401 / 9	A	Spring,left
	2932 75 402 / 7	A	Spring,right
19	2931 11 708 / 5	A	Shelf
25	2932 62 104 / 4	A	Box vegetable-
27	2932 52 301 / 8	A	Lampholder
32	2932 10 801 / 8	A	Kontakt pin
40	2932 10 601 / 2	A	Lamp cover
41	2932 66 501 / 7	A	Switch
43	2007 29 002 / 2	A	Lamp,6v



A	PNC 921170009	Model S150GE
----------	-------------------------	------------------------

Pos	Part No.		Description
100	2934 50 709 / 2	A	Cooling unit
101	173 22 800 / 8	A	Cap
102	2933 55 700 / 7	A	Cover sheet
116	2931 82 901 / 0	A	Outlet tube
117	2932 23 001 / 0	A	Cover
118	2931 82 801 / 2	A	Drip tray
119	2932 84 901 / 7	A	Housing
120	8227 05 600 / 2	A	Instructions for use



C2H 03522

PNC	Model
A 921170009	S150GE

Pos	Part No.		Description
1	2007 64 800 / 5	A	Holder,light conductor
2	2931 65 701 / 5	A	Safety valve
3	2931 49 604 / 2	A	Thermo element
4	2007 51 800 / 0	A	Coupling
5	169 38 000 / 3	A	Screw,Plug
6	2002 30 100 / 6	A	Plug
7	2007 19 900 / 9	A	Thermostat
8	172 81 903 / 9	A	By-pass screw,S14,8
9	2007 43 002 / 4	A	Gas cock
10	2007 42 900 / 0	A	Nipple
11	172 80 900 / 6	A	Nut
12	2932 79 601 / 0	A	Plate
14	2007 43 200 / 4	A	Switch
15	2007 43 900 / 9	A	Cap
16	140 73 001 / 1	A	Screw,rxk,b6x9,5,zincified
17	7241 28 761 / 9	A	Screw,zinc-plated,M4X8
20	7295 28 540 / 2	A	Screw,rxs,b6x19,stainless
21	2007 57 701 / 4	A	Spring
22	2007 57 800 / 4	A	Spring
23	2007 42 300 / 3	A	Piezo lighter
24	2007 42 400 / 1	A	Retaining spring
25	2007 42 500 / 8	A	Retaining spring
26	2007 41 000 / 0	A	Holder
27	7344 91 510 / 8	A	Tray
28	2007 45 700 / 1	A	Washer,0,5mm
29	7627 20 256 / 2	A	Junction block
30	140 74 800 / 5	A	Sealing ring,o-ring,T2527-1
31	2007 42 800 / 2	A	Snapper
32	2007 50 303 / 6	A	Burner,complete
33	2930 37 900 / 9	A	Electrode
34	7295 22 101 / 9	A	Screw,RXS,B4x6,5
36	2007 47 504 / 5	A	Axle,complete
37	2007 65 101 / 7	A	Guidance,Burner
40	2007 56 700 / 7	A	Support,axle
41	2005 11 200 / 4	A	Clip
42	7353 11 321 / 5	A	E-ring,zinc-plated,8
43	2007 44 000 / 7	A	Cap
44	7295 27 901 / 7	A	Screw,zinc-plated,RXS,B6X10
45	7241 28 961 / 5	A	Screw,zinc-plated,MRX,M4X10
46	2007 50 500 / 7	A	Cover
47	2932 66 702 / 1	A	Flue baffle
48	2007 41 915 / 9	A	Jet,no39
56	2007 45 801 / 7	A	Interlocking washer
57	2932 79 701 / 8	A	Light conductor

58	2007 46 810 / 7	A	Extension shaft
59	2007 46 808 / 1	A	Extension shaft
60	2007 47 104 / 4	A	Shaft,complete
68	173 73 825 / 3	A	Immersion heater,185

- ① — WHITE
 - ② — BLACK
 - ③ — YELLOW/GREEN
 - ④ — BLUE
 - ⑤ — BROWN
 - ⑥ — RED
- Ⓐ — HEATER
 - Ⓑ — SWITCH
 - Ⓒ — THERMOSTAT
 - Ⓓ — TERMINAL BLOCK
 - Ⓔ — SWITCH LIGHT
 - Ⓕ — LIGHT
 - Ⓖ — BATTERY BOX 6V
 - Ⓗ — TERMINAL BOX

