

S 80GE



SPARE PARTS LIST

COLD

PRODUCT NO 921 15 02-27
BRAND SIBIR
MODEL S 80GE
MARKET SE
TECH. NO 3100368
PROD. DATE 10/97

**CARAVAN
REFRIGERATOR**

S 80GE

© DISTRIPARTS HUNGARY
H-1392 P.O.Box 259
H-1142 Budapest
Erzsébet Királyné útja 87.
TEL: (36) 1 221 5054
Telefax: (36) 1 221 9866

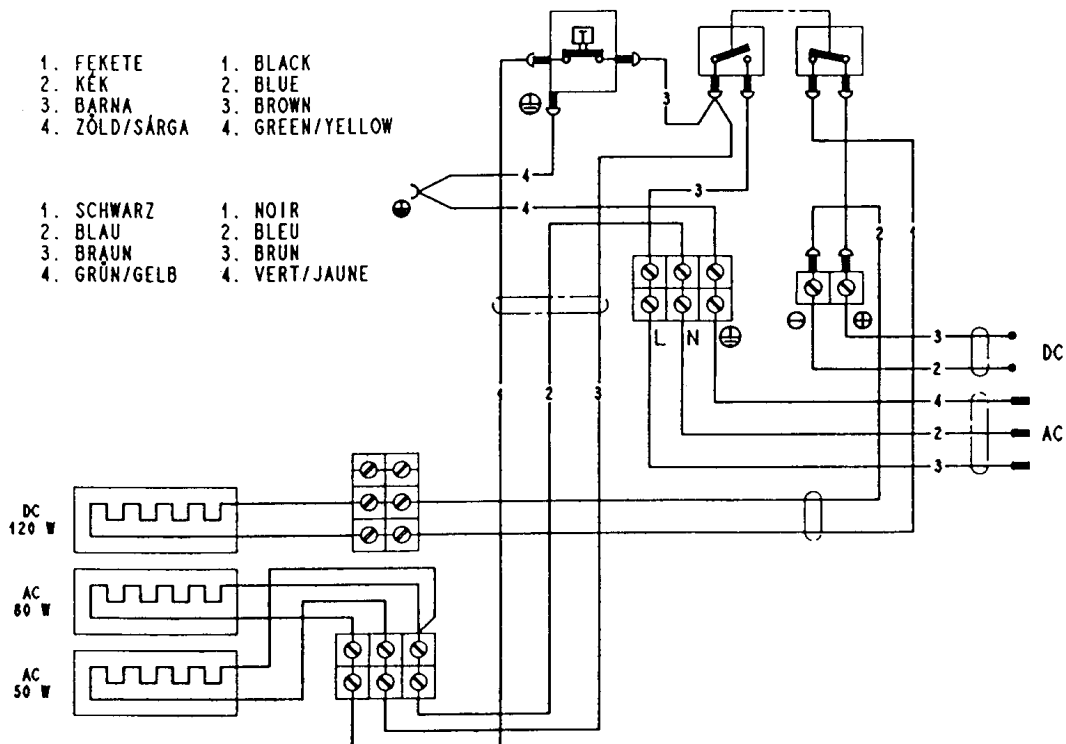
Publication-No.

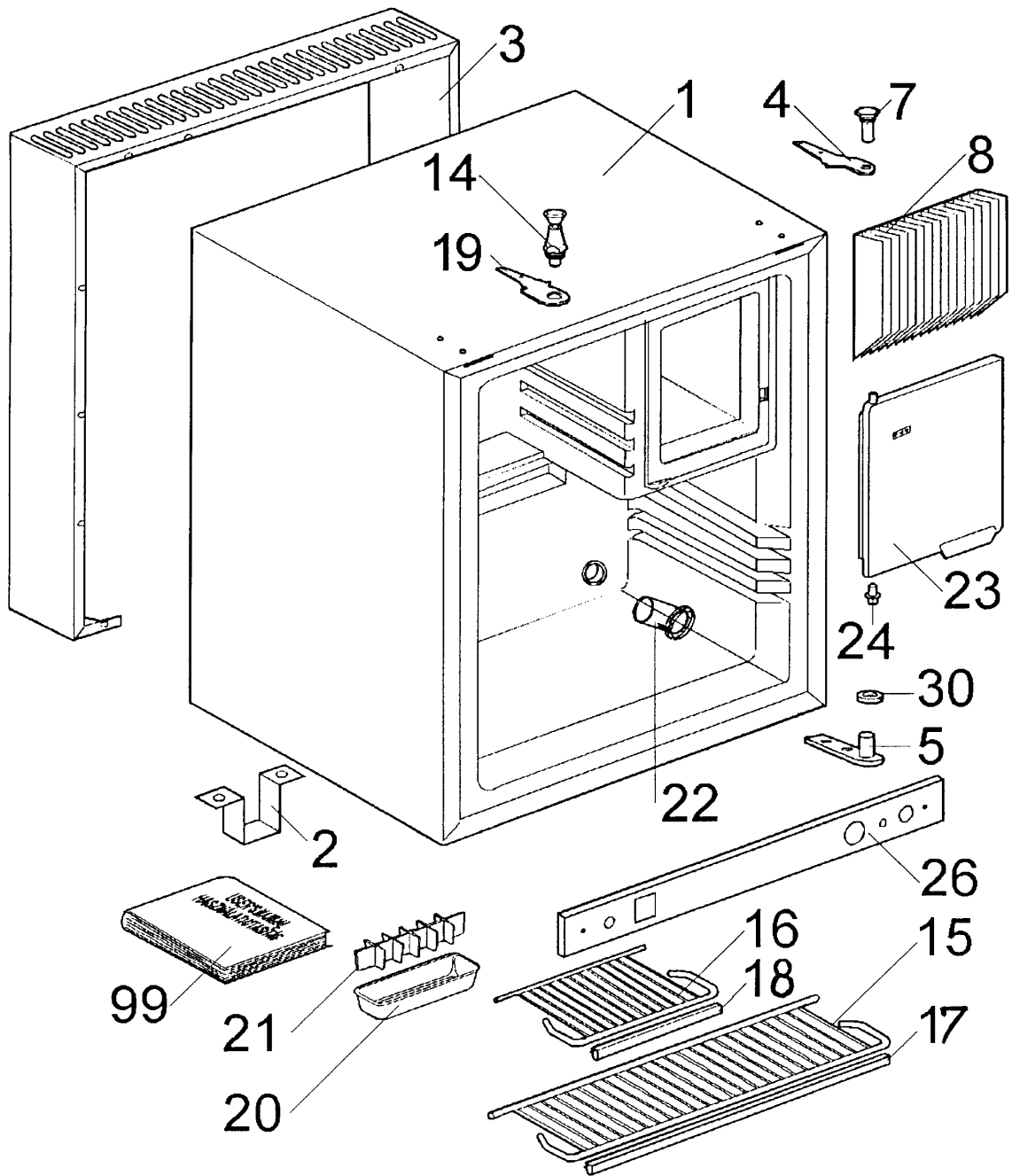
599 334 816/7

12.01.98
MSX 03
AL

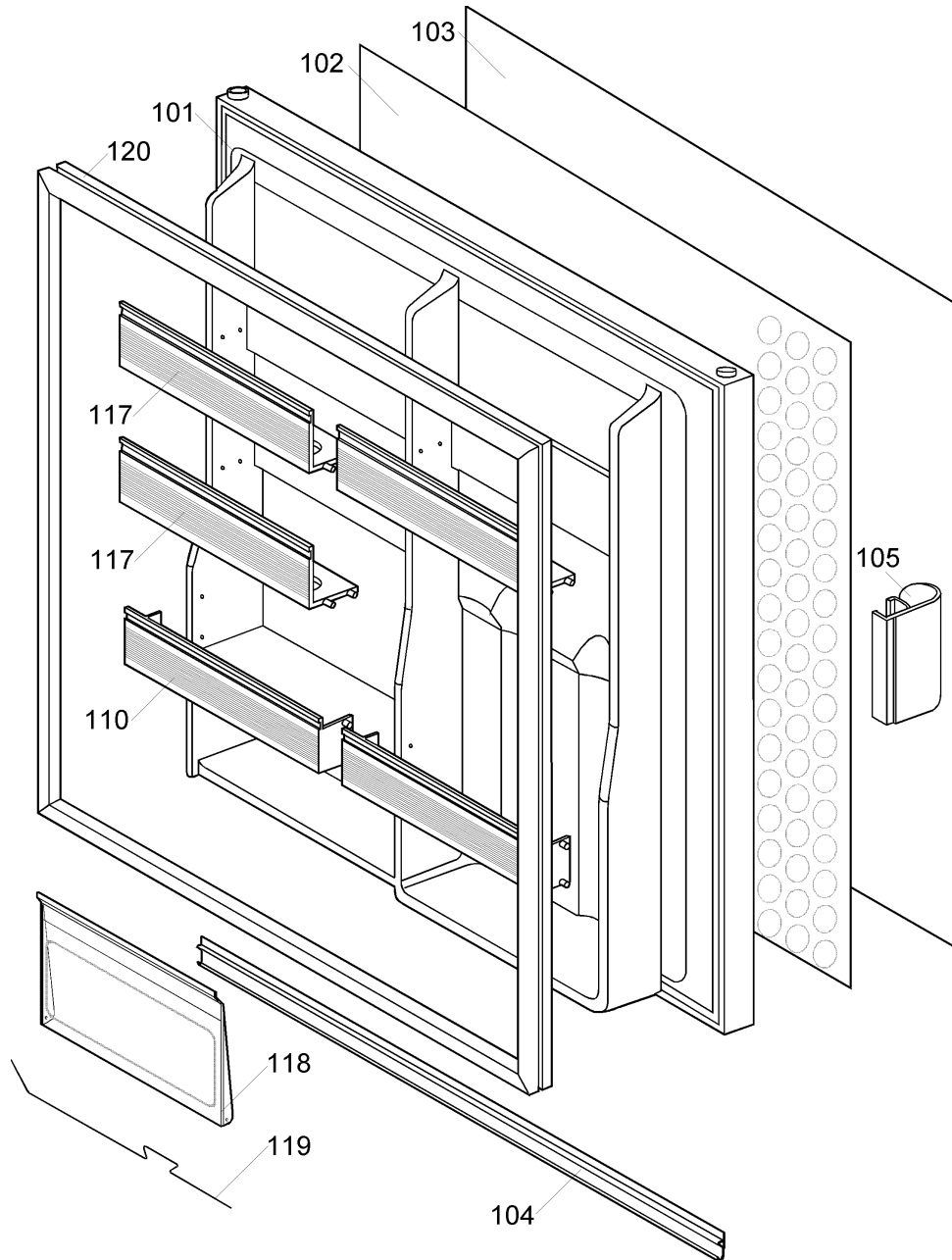
TECHNICAL DATA

DIMENSIONS (H*W*D /mm)	600*525*528
NOM.VOLUME (L)	80
BR. VOLUME (L)	70
NET. VOLUME (L)	65
CLIMATE CLASS	N
FREEZER (L)	6
STARS	***
THERMOSTAT	
Type	K57H 1027
Cold position	
Cut-out/Cut-in (°C)	-10/-1
Warm position	
Cut-out/Cut-in (°C)	-1/+8
HEATING ELEMENT I.	
Supply voltage (V/Hz)	230/50
Absorbed power (W)	80•
HEATING ELEMENT II.	
Supply voltage (V/Hz)	230/50
Absorbed power (W)	50
HEATING ELEMENT III.	
Supply voltage (V/Hz)	12 DC
Absorbed power (W)	120
ENERGIE CONSUMPTION	
230 V (kWh/24h)	2,4
PB gas (g/24h)	275
GAS PRESSURE (mBar)	30

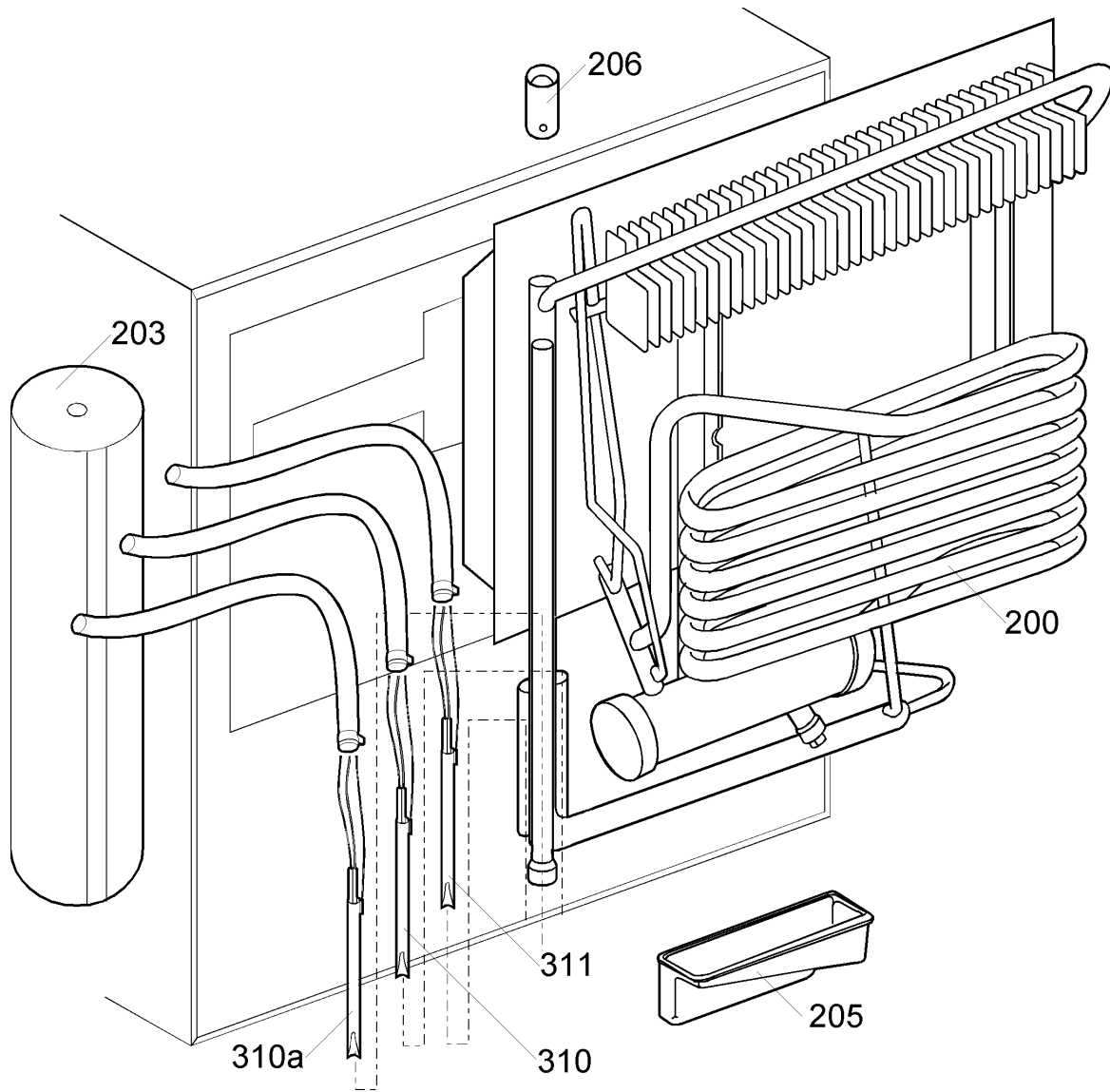
WIRING DIAGRAM



POS	PART NO	DESCRIPTION
1	207021404/0	FOAMED CABINET
2	207193601/3	LEG
3	207184111/4	FRAME,REAR, WH.
4	207199202/4	HINGE PLATE,UPPER
5	207470201/6	HINGE,BOTTOM,WH.
7	207232901/0	PIN, TOP HINGE
8	207240301/3	COOLING FRAME
14	207175803/7	PIN, DOOR SAFETY, MOUNT.
15	207204401/5	WIRE SHELF,LOWER,WH.
16	207204501/2	WIRE SHELF,UPPER,WH.
17	207201903/3	DECORATION SLAT,LOWER,WH.
18	207201905/8	DECORATION SLAT,UPPER,WH.
19	207199201/6	HINGE PLATE, UPPER
20	294251800/8	ICE TRAY
21	207174401/1	INSERT,ICE TRAY
22	207454801/3	FLAME VIEWER
23	207453817/0	FREEZER DOOR, DECOR.
24	207453001/1	PIN,FREEZER DOOR
26	207471207/2	CONTROL PANEL, DECOR.
30	207178601/2	PLASTIC WASHER
99	207488402/0	USER'S MANUAL
N.S.	207455001/9	CLOSE CLAMP, EVAP. DOOR



POS	PART NO	DESCRIPTION
100	207011611/2	DOOR, COMPL.
101	207011501/5	DOOR, FOAMED WH.
102	207203901/5	DOOR INSERT
103	207204003/9	DOOR SHEET. WH
104	207201503/1	FIXING PROFILE
105	--	
110	207203202/8	BOTTLE SHELF, WH.
117	207203101/2	EGG RACK, WH.
118	207203404/0	BUTTER DOOR, DECOR.
119	207291401/9	SPRING
120	207280601/7	DOOR GASKET, WH.



POS	PART NO	DESCRIPTION
200	207143001/7	COOLING UNIT
203	207190303/9	BOILER INSULATION
204	207472901/9	FLUE REGULATOR
205	207452701/7	DRIP TRAY
206	207473101/5	COVER, FLUE
310	207250901/7	HEATING ELEMENT,230V/80W
310	207250902/5	HEATING ELEMENT,230V/50W
311	207250903/3	HEATING ELEMENT 12V/120W

POS	PART NO	DESCRIPTION
10	207173701/5	THERMOSTAT KNOB
300	207261301/7	MAINS CONNECTION
302	207270001/2	TERMINAL BLOCK, BK-3
303	207176901/8	INSULATION, TERM. BLOCK
304	207270506/0	THERMOSTAT K57H-1027
305	207193201/2	HOLDER, THERMOSTAT
306	207174202/3	COVER, ELECTR.
313	292204305/0	PIEZO IGNITER RV381
315	207270708/2	TERMINAL BLOCK, EKL
317	207173801/3	EXTENSION SHAFT
318	207270301/6	SWITCH, 3 POSITION
319	207173903/7	ACTUATOR
320	207454101/8	SWITCH SAVING
321	207270401/4	TERMINAL BLOCK CSK-162
322	207450202/8	COVER, T. BLOCK
323	207174001/9	CABLE CLAMP
401	207471001/9	HOLDER, GAS ASSY.
402	207173301/4	KNOB(SFTY. VALVE)
405	207214201/7	INLET PIPE, GAS, ASSY., SK.
406	207210304/3	SAFETY VALVE, ISPH. GH 364
407	292255901/4	DISTANCE PIECE
408	292255902/2	NUT
409	292255903/0	CONICAL RING
410	207210601/2	THERMOELEMENT
411	207214101/9	TUBE, CONNECTION
412	207214301/5	GAS THERMOSTAT V35PO134
413	207453301/5	KNOB, THERMOSTAT
417	207212801/6	JOINT OF G.O.K.
418	207210204/5	GAS BURNER
422	207214401/3	IGNITION PLUG
428	292600400/9	PANE HOLDER
429	292672400/2	PANE
431	207472001/8	PROTECTION SHEET