



SPARE PARTS LIST

Absorption refrigerators

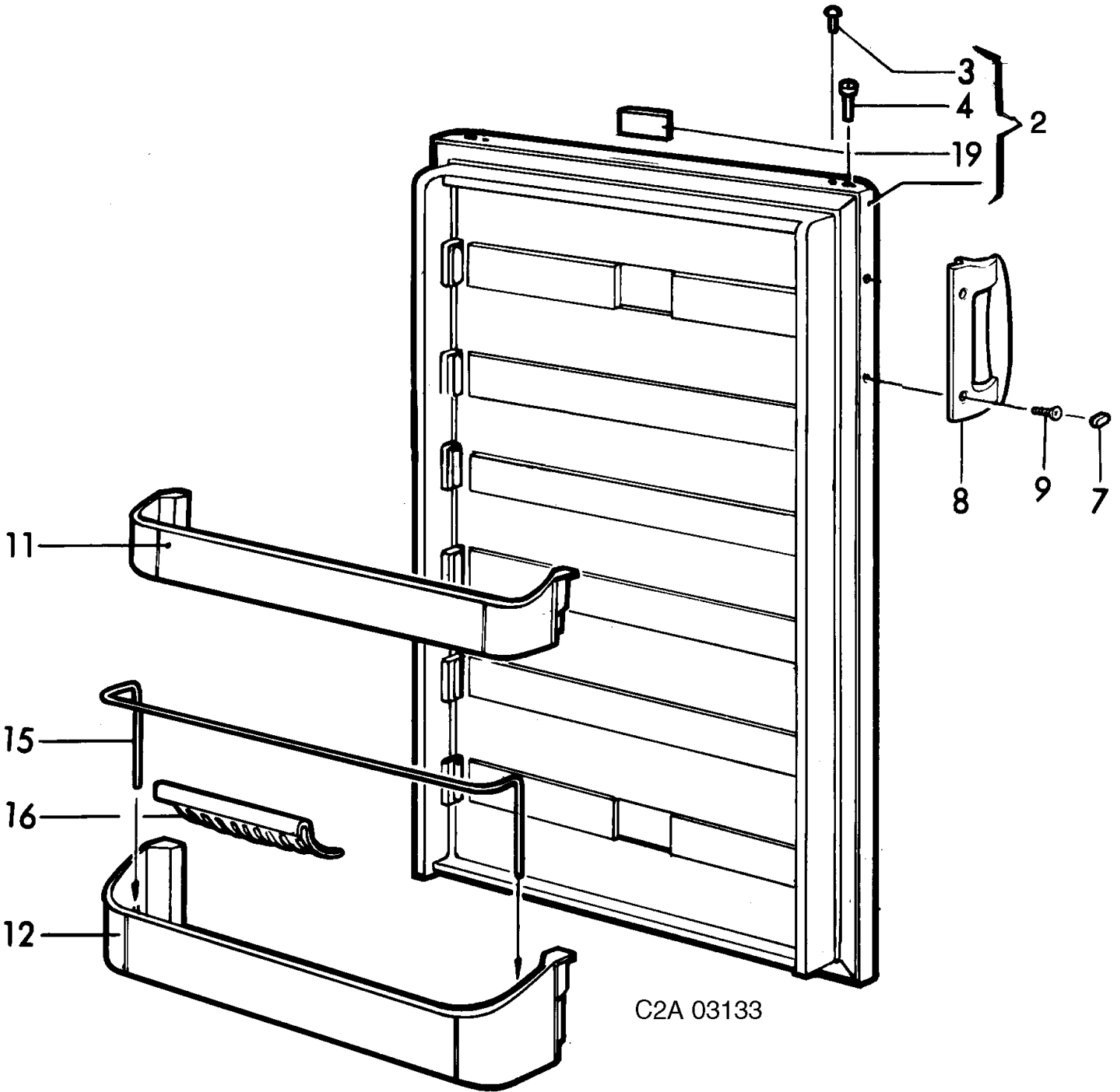
3140

PNC	Brand	Model	Market
A 921171001	SOUTH INTER	S150KE	

AEG Hausgeräte GmbH
Muggenhofer Straße 135
D-90429 Nürnberg
Germany
Fax +49 (0)911 323 1022

Publ.No.
599259985
1999/10/8
MO

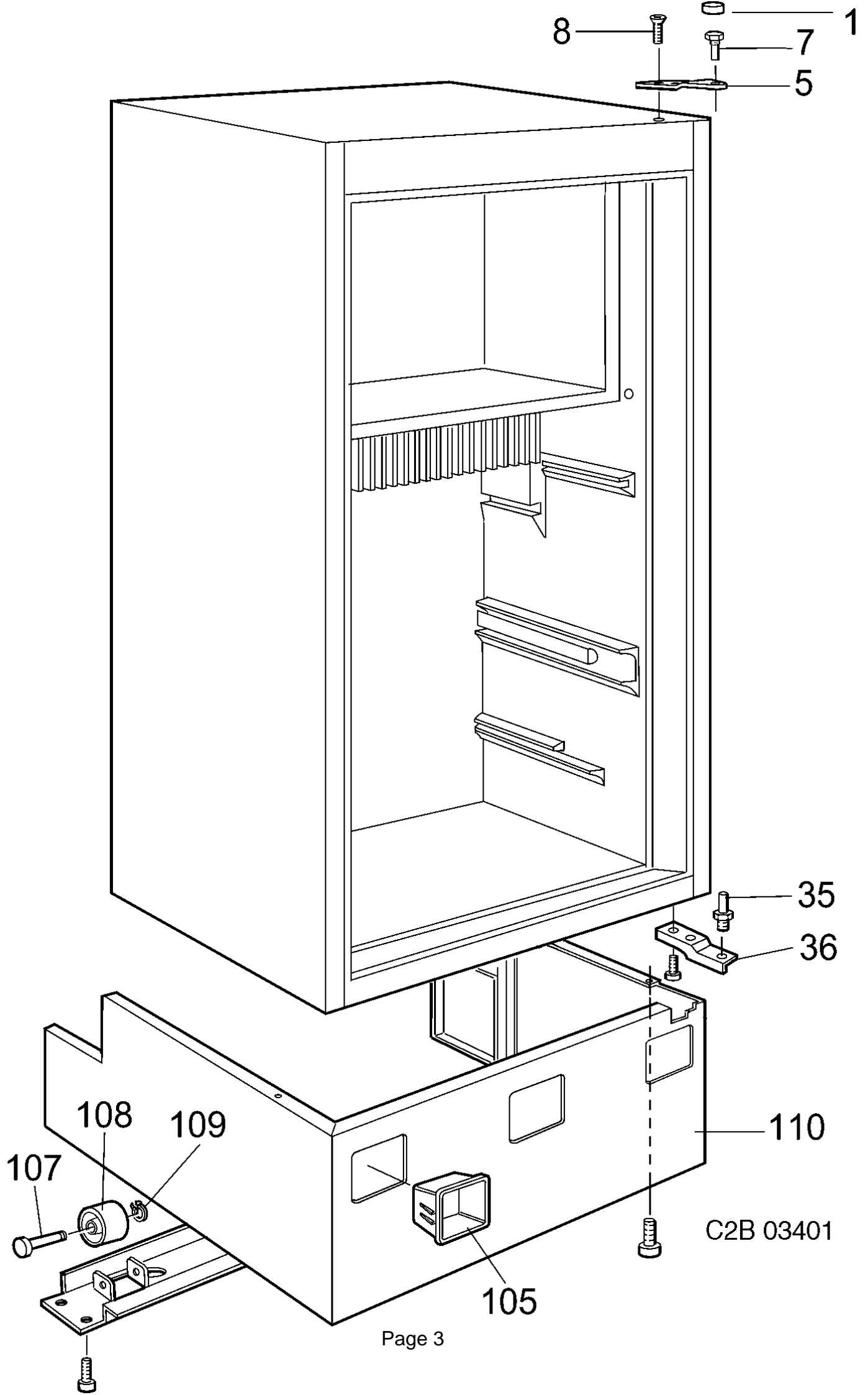
Large
freestanding
refrigerators



C2A 03133

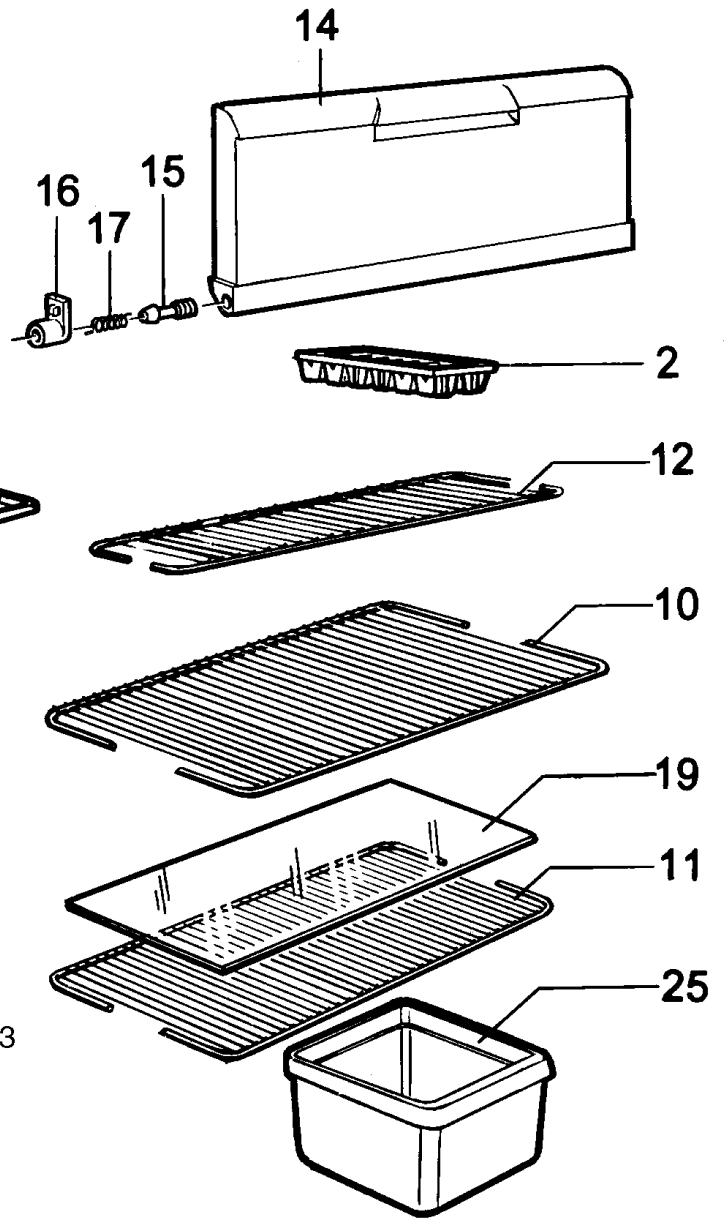
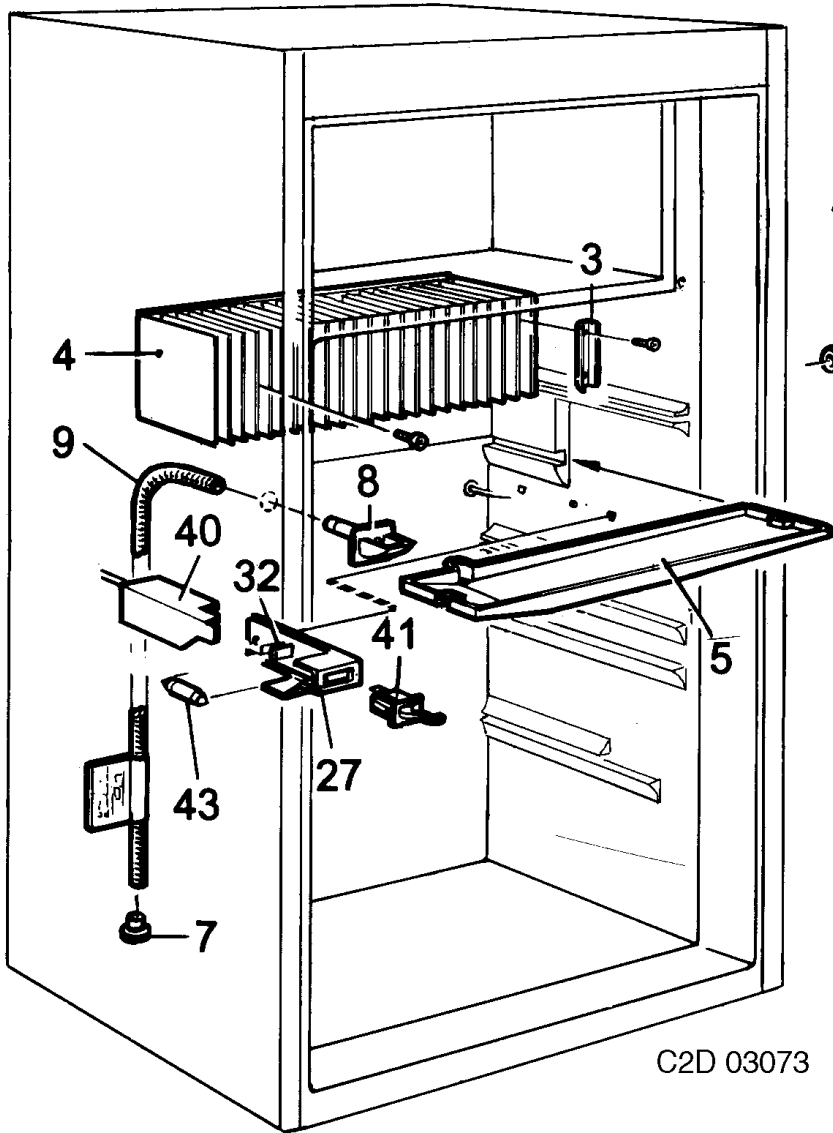
A	PNC 921171001	Model S150KE
----------	-------------------------	------------------------

Pos	Part No.		Description
2	2932 80 604 / 1	A	Door refrigerator,wh
3	2059 61 903 / 7	A	Plug,grey
4	2059 34 203 / 6	A	Hinge bushing,grey
7	2230 03 006 / 2	A	Plug,grey
8	2058 28 312 / 4	A	Handle,grey
9	2058 28 801 / 6	A	Screw,zinc-plated,M4
11	2932 57 603 / 2	A	Shelf door-,grey
12	2932 57 503 / 4	A	Shelf door-,grey
15	2932 58 501 / 7	A	Rack
16	2932 65 802 / 0	A	Holder bottle-,grey
19	2932 80 900 / 3	A	Name plate,SIBIR



A	PNC 921171001	Model S150KE
----------	-------------------------	------------------------

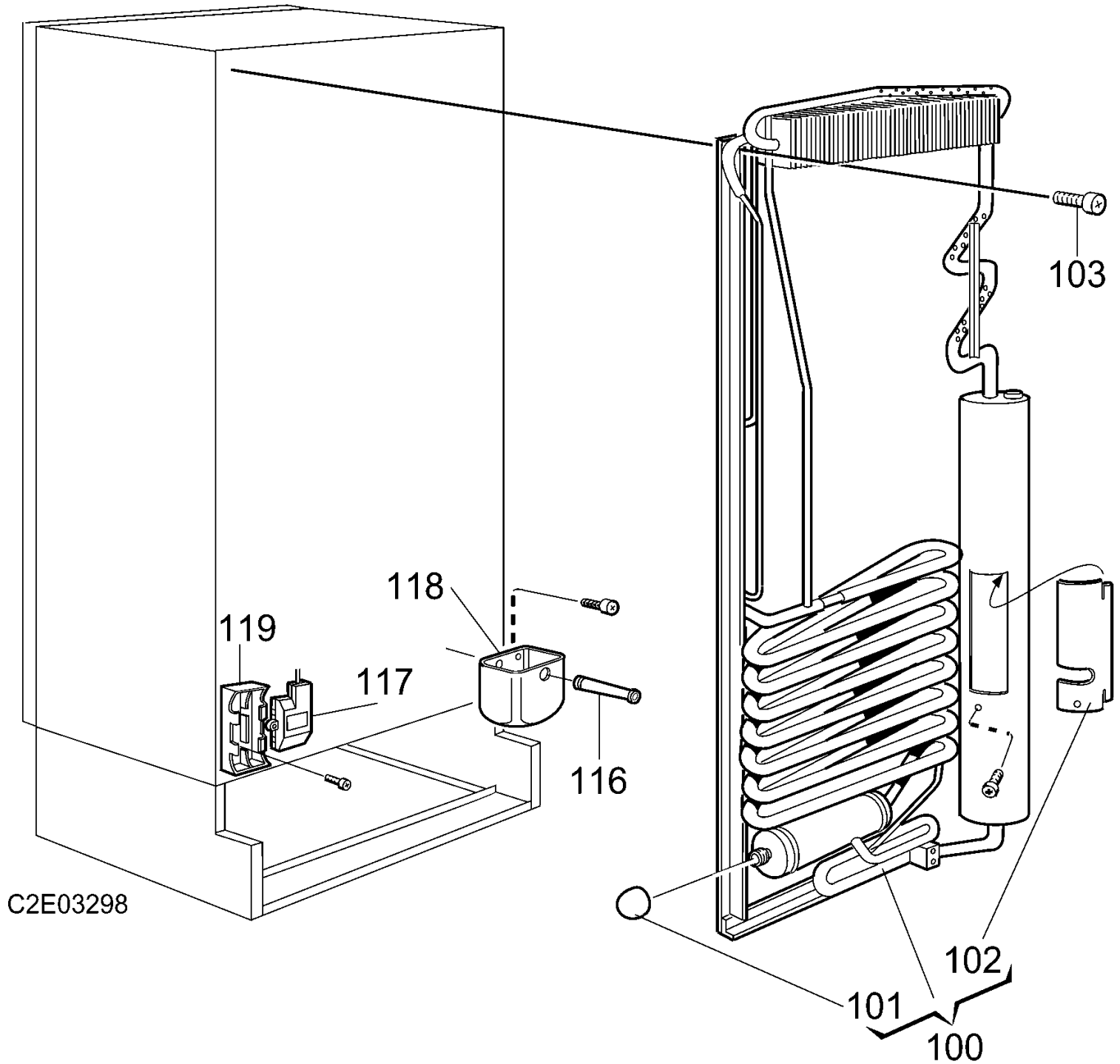
Pos	Part No.		Description
1	2932 73 606 / 5	A	Cover
5	2932 78 705 / 0	A	Hinge,upper
7	2932 79 001 / 3	A	Hinge pin,upper
8	7243 32 761 / 1	A	Screw,zinc-plated,MFX M5x12
35	2932 79 201 / 9	A	Hinge pin,lower
36	2932 78 902 / 3	A	Hinge,lower,right
105	2932 89 002 / 9	A	Sleeve,grey
107	2932 89 401 / 3	A	Shaft
108	2932 89 701 / 6	A	Wheel
109	7353 10 821 / 5	A	Spring ring
110	2932 92 605 / 4	A	Base,white,cpl.



C2D 03073

A	PNC 921171001	Model S150KE
----------	-------------------------	------------------------

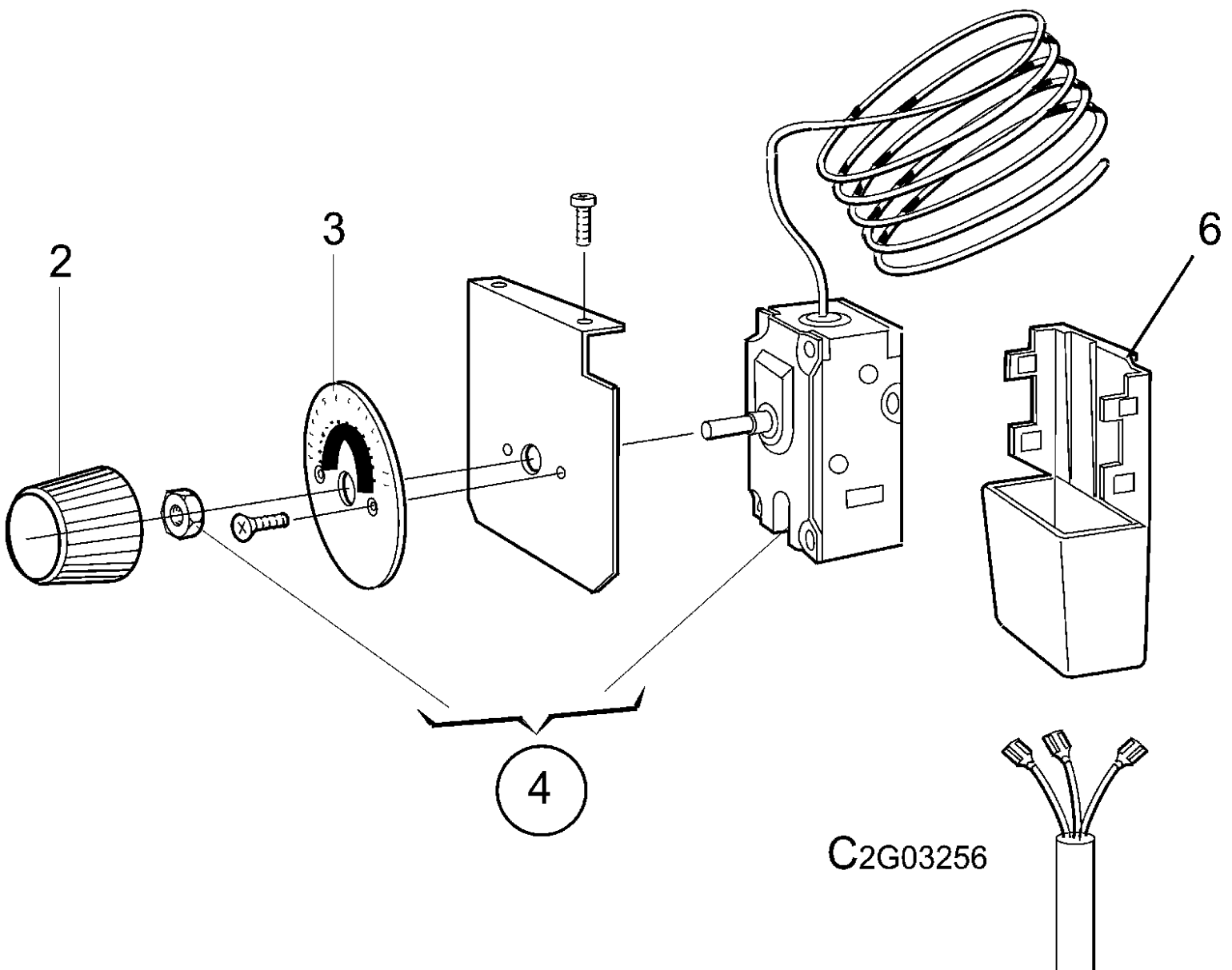
Pos	Part No.		Description
2	2930 40 000 / 3	A	Ice tray
3	2890 05 000 / 4	A	Terminal
4	2932 62 901 / 3	A	Evaporator.
5	2932 62 301 / 6	A	Evaporation tray
7	2932 11 501 / 3	A	Discharge pipe,Plug
8	2932 63 501 / 0	A	Drain
9	2932 74 904 / 3	A	Discharge hose,l=500
10	2932 62 501 / 1	A	Grating shelf,zinc-plated,d=273
11	2932 62 503 / 7	A	Grating shelf,zinc-plated,d236
12	2932 62 505 / 2	A	Shelf,d162,zincplate
14	2932 65 001 / 9	A	Flap freezer-
15	2002 23 800 / 0	A	Bolt
16	2002 23 600 / 4	A	Spring casing,left
	2002 23 601 / 2	A	Spring casing,right
17	2932 75 401 / 9	A	Spring,left
	2932 75 402 / 7	A	Spring,right
19	2931 11 708 / 5	A	Shelf
25	2932 62 104 / 4	A	Box vegetable-
27	2932 52 301 / 8	A	Lampholder
32	2932 10 801 / 8	A	Kontakt pin
40	2932 10 601 / 2	A	Lamp cover
41	2932 66 501 / 7	A	Switch
43	2007 29 002 / 2	A	Lamp,6v



C2E03298

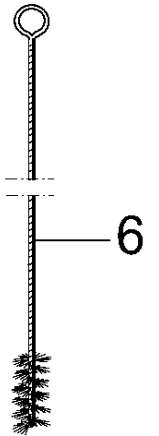
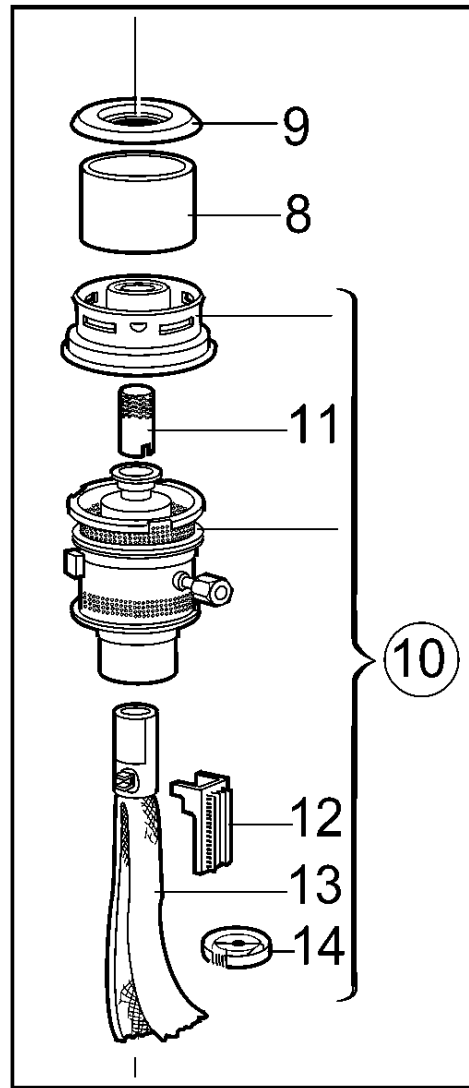
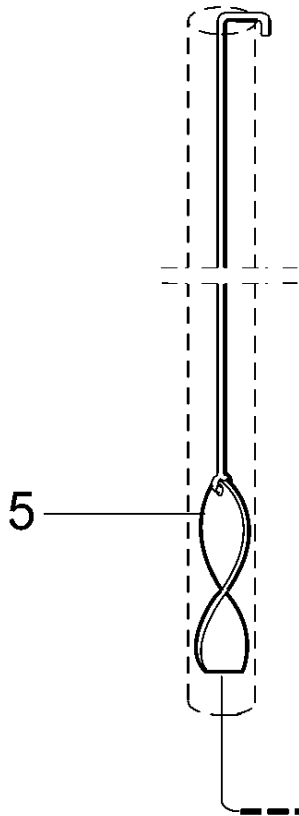
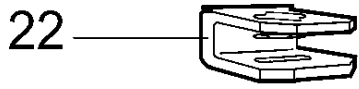
A	PNC 921171001	Model S150KE
----------	-------------------------	------------------------

Pos	Part No.		Description
100	2934 50 809 / 0	A	Cooling unit,508
101	173 22 800 / 8	A	Cap
102	2933 55 700 / 7	A	Cover sheet
103	7241 32 861 / 1	A	Screw,m5x14,zincified
116	2931 82 901 / 0	A	Outlet tube
117	2932 23 001 / 0	A	Cover
118	2931 82 801 / 2	A	Drip tray
119	2932 84 901 / 7	A	Housing
120	8227 06 800 / 7	A	Instructions for use

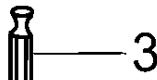
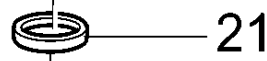
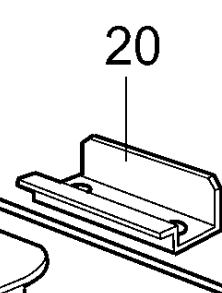
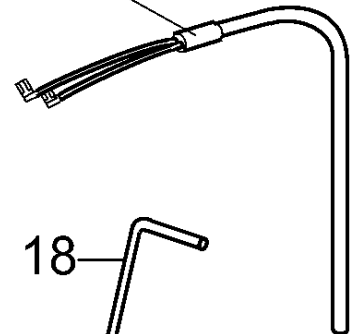


A	PNC 921171001	Model S150KE
----------	-------------------------	------------------------

Pos	Part No.		Description
2	2932 08 401 / 1	A	Thermostat knob
3	172 78 900 / 0	A	Thermostat dial
4	2930 75 801 / 2	A	Thermostat
6	2932 43 201 / 2	A	Thermostat cover

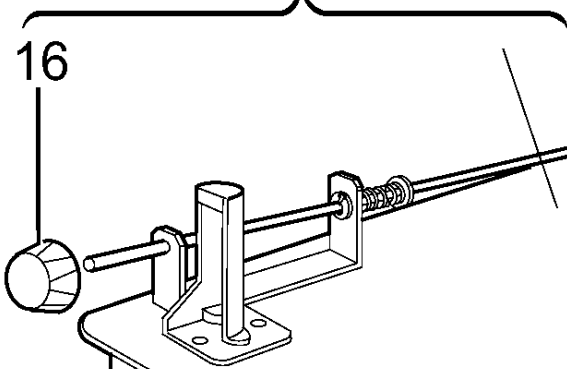


68

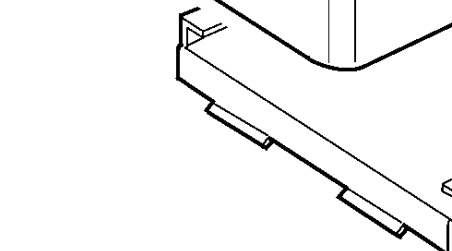


(15)

16



17



c2i03408

A	PNC 921171001	Model S150KE
----------	-------------------------	------------------------

Pos	Part No.		Description
3	2910 08 202 / 9	A	Guide pin
5	2930 37 702 / 9	A	Baffle
6	2932 99 901 / 0	A	Flue brush
8	2954 13 200 / 3	A	Glass lamp-
9	2932 89 601 / 8	A	Cap,9
10	2932 93 501 / 4	A	Burner kerosen-,assy
11	2955 14 700 / 0	A	Tube,low
12	294 89 300 / 3	A	Wick mover
13	2932 93 601 / 2	A	Wick
14	2955 14 800 / 8	A	Wick cleaner
15	2932 90 001 / 8	A	Kerosene tank
16	172 49 700 / 0	A	Button
17	2932 88 701 / 7	A	Rail
18	2932 88 901 / 3	A	Control bar
19	2932 88 501 / 1	A	Cantilever
20	2932 88 601 / 9	A	Retainer
21	2932 89 301 / 5	A	Adapter
22	2932 89 101 / 9	A	Adapter
68	173 73 830 / 3	A	Immersion heater,195

- ① — BROWN
 - ② — BLUE
 - ③ — YELLOW/GREEN
 - ④ — BLACK
-
- Ⓐ — HEATER
 - Ⓑ — THERMOSTAT
 - Ⓒ — TERMINAL BLOCK

